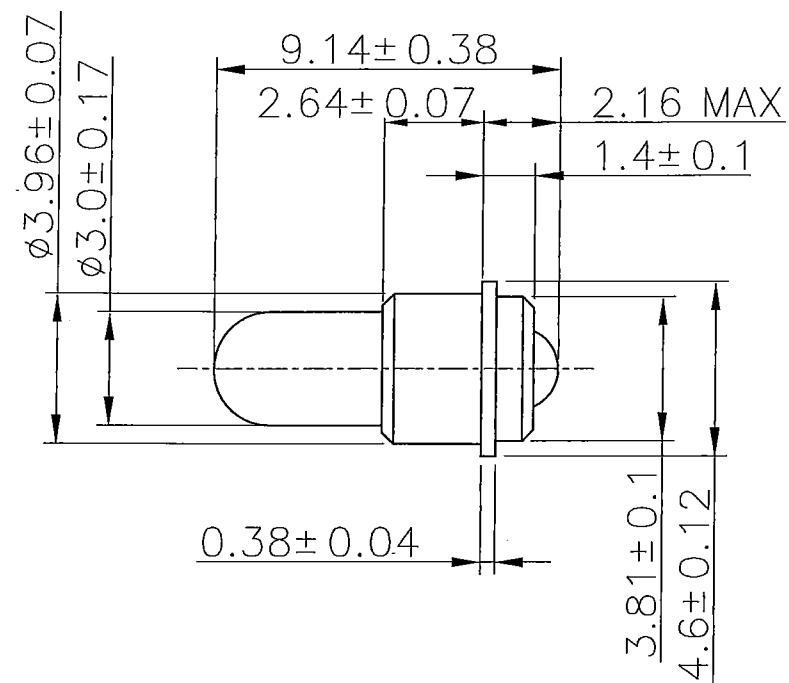


D.W.G. 805956 REV.

REVISIONS			
LET	DESCRIPTION	BY	DATE



Part Number	Design Volt (V)	Design Amp (A)	Light Output (MSCP)	Filament shape
OL-682	5.0	0.060 ±10%	0.03 ±25%	C-2R
OL-685	5.0	0.060 ±10%	0.05 ±25%	C-2R
OL-685AS15	5.0	0.060 ±10%	0.05 ±15%	C-2R
OL-685AS15-297	5.0	0.060 ±10%	0.05 ±15%	C-2R
OL-714	5.0	0.075 ±10%	0.09 ±25%	C-2R
OL-718	5.0	0.115 ±10%	0.15 ±25%	C-2R
OL-718-297	5.0	0.115 ±10%	0.15 ±25%	C-2R
OL-718AS15	5.0	0.115 ±10%	0.15 ±15%	C-2R
OL-718AS15-297	5.0	0.115 ±10%	0.150 ±15%	C-2R
OL-718F1	5.0	0.125 ±10%	0.22 ±25%	C-2R
OL-1099	12.0	0.060 ±10%	0.15 ±25%	C-2F
OL-1100	18.0	0.026 ±10%	0.15 ±25%	C-2F
OL-1112	14.0	0.065 ±10%	0.15 ±25%	C-2F
OL-3008	3.0	0.060 ±10%	0.03 ±25%	C-2R
OL-3057	5.0	0.030 ±10%	0.03 ±25%	C-2R
OL-3071	5.0	0.060 ±10%	0.15 ±25%	C-2R
OL-3071AS15	5.0	0.060 ±10%	0.15 ±15%	C-2R
OL-3092	28.0	0.020 ±10%	0.05 ±25%	CC-2F
OL-3335	28.0	0.016 ±10%	0.07 ±25%	CC-2F
OL-6839	28.0	0.024 ±10%	0.15 ±25%	CC-2F
OL-6839-297	28.0	0.024 ±10%	0.15 ±25%	CC-2F
OL-6839AS10	28.0	0.024 ±10%	0.15 ±10%	CC-2F
OL-6839AS15	28.0	0.024 ±10%	0.15 ±15%	CC-2F
OL-6839AS15-297	28.0	0.024 ±10%	0.15 ±15%	CC-2F

Notes.

All of the above lamps are available with nickel plated brass contacts, which is denoted by adding -297 to above part numbers. These lamps are totally solderless and are recommended for high-reliability application.

SCALE	UNIT	MATERIAL		
5/1	m.m			
TITLE		DATE		
T-1 SMF LAMP		120327	 <b>Oshino Lamps Limited</b> SHINAGAWA, TOKYO, JAPAN	
DRAWN	CHECKED	APPROVED	D.W.G. NO.	REV.
T.I	T.Y	J.A.K.A	805956	