

# High Frequency Ceramic Solutions

4.7GHz Band Pass Filter, EIA 0402, SMD, Low Loss and High Attenuation

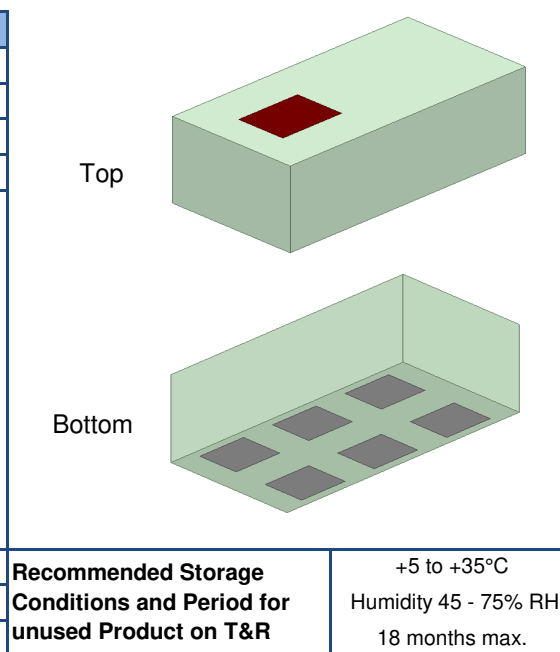
P/N 4700BP07B0600

Detail Specification: 9/8/2021

Page 1 of 4

## General Specifications

<b>Part Number</b>	4700BP07B0600
<b>Frequency (MHz)</b>	4400 - 5000
<b>Insertion loss (dB)</b>	1.5 max.
<b>Return Loss (dB)</b>	10 min.
<b>Attenuation (dB)</b>	35 min. @600 - 960MHz 35 min. @1164 - 1300MHz 35 min. @1476 - 1511MHz 35 min. @1559 - 1610MHz 35 min. @1805 - 2200MHz 25 min. @2300 - 2690MHz 20 min. @3055 - 3490MHz 15 min. @8800 - 10000MHz 25 min. @13200 - 15000MHz 20 min. @17600 - 20000MHz
<b>Power Capacity (W)</b>	3 max. (CW)
<b>Operating Temperature</b>	-40 to +85°C
<b>Reel Quantity (pcs/reel)</b>	10,000



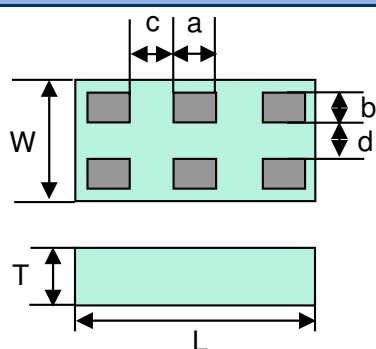
You can download measured s-parameters of this component at: <https://www.johansontechnology.com/band-pass-filters>

## Part Number Explanation

P/N Suffix	Packaging Style	Bulk (loose pcs.)	Suffix = S	e.g. 4700BP07B0600S
		T & R	Suffix = T	e.g. 4700BP07B0600T
	Evaluation Board	50Ω SMA	Suffix = EB1SMA	e.g. 4700BP07B0600-EB1SMA

## Mechanical Dimensions

	In	mm
<b>L</b>	0.039 ± 0.002	1.00 ± 0.05
<b>W</b>	0.020 ± 0.002	0.50 ± 0.05
<b>T</b>	0.014 max.	0.35 max.
<b>a</b>	0.007 ± 0.002	0.18 ± 0.05
<b>b</b>	0.005 ± 0.002	0.125 ± 0.05
<b>c</b>	0.007 ± 0.002	0.18 ± 0.05
<b>d</b>	0.006 ± 0.002	0.15 ± 0.05



## Terminal Configuration

No.	Function	No.	Function
1	IN/OUT	4	NC
2	GND	5	GND
3	IN/OUT	6	NC

Johanson Technology, Inc. reserves the right to make design changes without notice.

All sales are subject to Johanson Technology, Inc. terms and conditions.



Ver. 1.0

<https://www.johansontechnology.com>

4001 Calle Tecate • Camarillo, CA 93012, USA • TEL +1.805.389.1166

2021 Johanson Technology, Inc. All Rights Reserved

# High Frequency Ceramic Solutions

4.7GHz Band Pass Filter, EIA 0402, SMD, Low Loss and High Attenuation

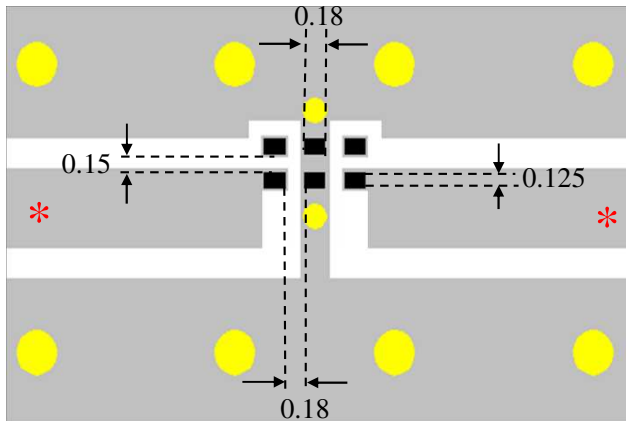
P/N 4700BP07B0600





Detail Specification: 9/8/2021

Page 2 of 4

## Mounting Pad Dimensions

Units in mm

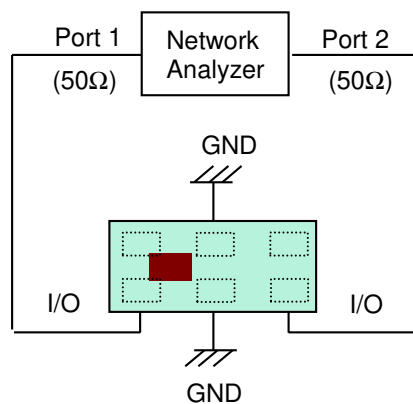


-  Solder Resist
-  Land
-  Through-hole ( $\phi$  0.35)
-  Through-hole ( $\phi$  0.2)

\*Transmission line width should be designed to match 50Ω characteristic impedance, depending on PCB material and thickness.

Would you like the layout? Send us a message at: <https://www.johansontechnology.com/ask-a-question>

## Measurement Schematic



Port 1: Filter IN/OUT  
Port 2: Filter IN/OUT

Johanson Technology, Inc. reserves the right to make design changes without notice.

All sales are subject to Johanson Technology, Inc. terms and conditions.



Ver. 1.0

<https://www.johansontechnology.com>

4001 Calle Tecate • Camarillo, CA 93012, USA • TEL +1.805.389.1166

2021 Johanson Technology, Inc. All Rights Reserved

# High Frequency Ceramic Solutions

4.7GHz Band Pass Filter, EIA 0402, SMD, Low Loss and High Attenuation

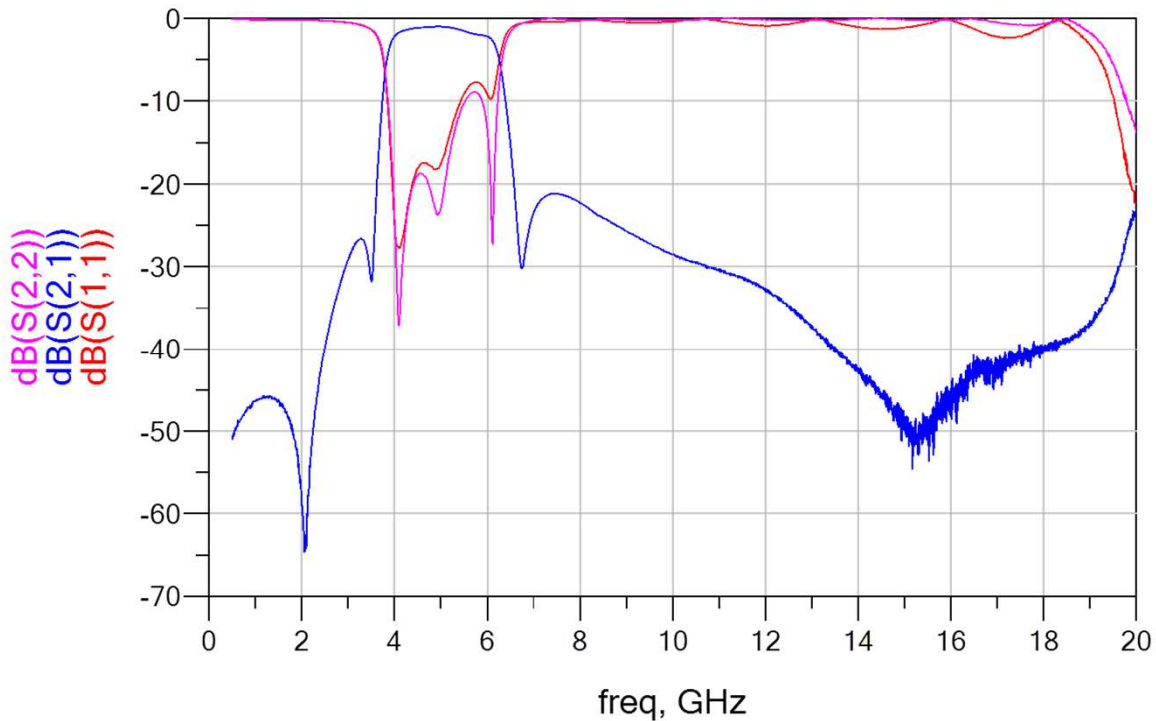
P/N 4700BP07B0600

Detail Specification: 9/8/2021

Page 3 of 4

## Typical Electrical Characteristics (T=25°C)

### Insertion Loss & Return loss



Do you need the S-parameter file of the above? Send us a message at:  
<https://www.johansontechnology.com/ask-a-question>

Johanson Technology, Inc. reserves the right to make design changes without notice.

All sales are subject to Johanson Technology, Inc. terms and conditions.



Ver. 1.0

<https://www.johansontechnology.com>

4001 Calle Tecate • Camarillo, CA 93012, USA • TEL +1.805.389.1166

2021 Johanson Technology, Inc. All Rights Reserved

# High Frequency Ceramic Solutions

4.7GHz Band Pass Filter, EIA 0402, SMD, Low Loss and High Attenuation

P/N 4700BP07B0600

Detail Specification: 9/8/2021

Page 4 of 4

## Application Notes, Layout Files, and more

<https://www.johansontechnology.com/band-pass-filters>

## Packaging information

<https://www.johansontechnology.com/tape-reel-packaging>

## Soldering Information

<https://www.johansontechnology.com/ipcsoldering-profile>

## MSL Info

<https://www.johansontechnology.com/msl-rating>

## Recommended Storage Condition and Max Shelf Life

<https://www.johansontechnology.com/recommended-storage-conditions>

## RoHS Compliance

<https://www.johansontechnology.com/rohs-compliance>

## Antenna layout and tuning techniques

<https://www.johansontechnology.com/tuning>

## Antenna layout review, tuning, and characterization services

<https://www.johansontechnology.com/ipc-antenna-services>

Johanson Technology, Inc. reserves the right to make design changes without notice.

All sales are subject to Johanson Technology, Inc. terms and conditions.



Ver. 1.0

<https://www.johansontechnology.com>

4001 Calle Tecate • Camarillo, CA 93012, USA • TEL +1.805.389.1166

2021 Johanson Technology, Inc. All Rights Reserved