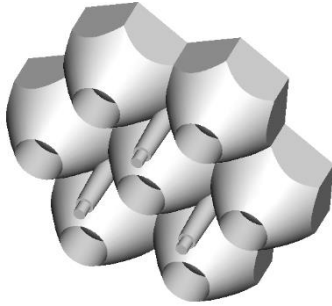
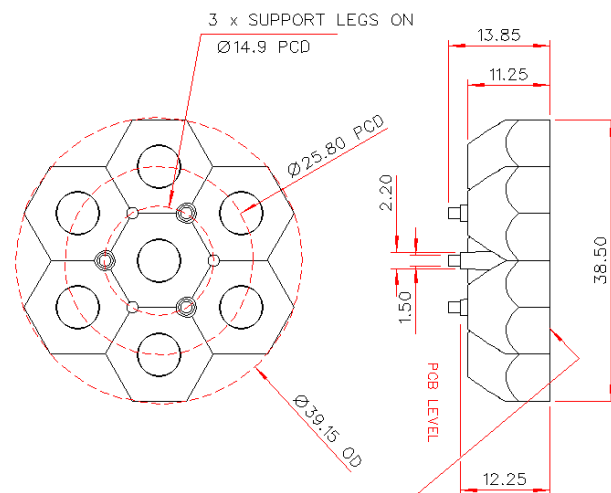
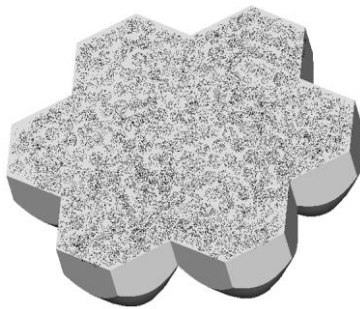


Diffuse Narrow Beam 7 Cell Cluster Optic - Part No. 264



- Designed for low profile, high power, Lambertian LEDs
- High light collection efficiency of >85%
- Precision moulded in optical grade Polycarbonate for thermal stability and system durability
- Part of the Polymer Optics “Modular LED Optics”® range



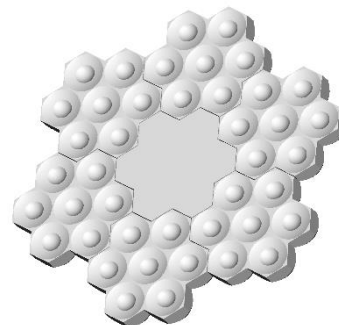
DIFFUSE FINISH ON FRONT SURFACE

Typical dimensional tolerances to $\pm 0.2\text{mm}$

Polymer Optics “Modular LED Optics”® design, based on a hexagonal format, allows maximum packing density and assembly flexibility

Polymer Optics “Cluster Optic”® arrays can be assembled together in a number of ways to meet the needs of a range of illumination applications

The 261, 262 and 264 type “Cluster Optics”® can be mixed in the assembly to optimise the systems illumination distribution, and combined with other Polymer Optics custom cluster designs.

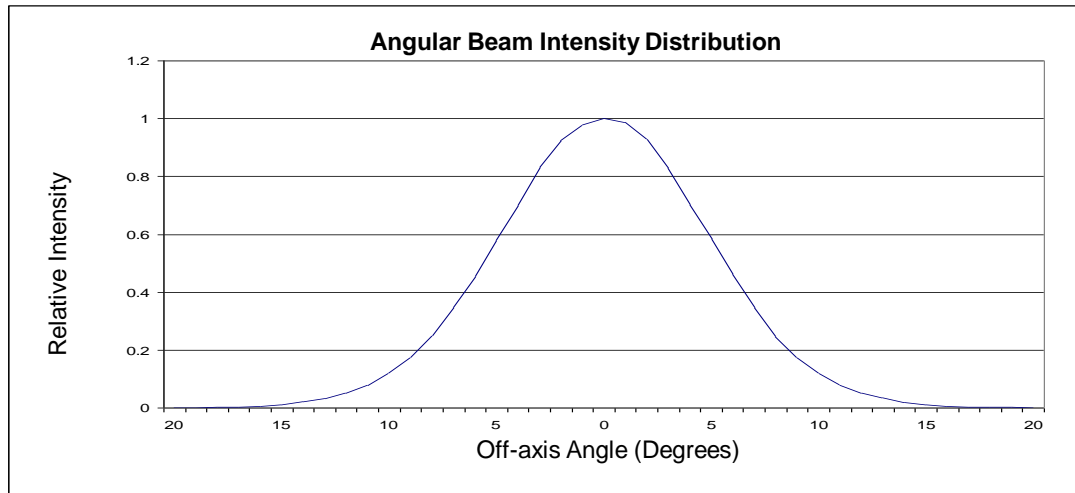


In order to determine if the particular beam properties and performance of this optic are suitable for your application with your chosen LED type, POL suggests that you obtain samples from POL or their distributors for your own product testing, as properties may vary with different LED types.

Due to continuous product improvement, POL reserve the right to change specifications without notice.

© Copyright Polymer Optics Limited 2016

Diffuse Narrow Beam 7 Cell Cluster Optic - Part No. 264



Typical peak illuminance with 7x100 lumen Lambertian, 1mm die size LEDs = 2cd/lumen			
Range	0.5m	1m	2m
Illuminance	5600 lux	1400 lux	350 lux

In order to determine if the particular beam properties and performance of this optic are suitable for your application with your chosen LED type, POL suggests that you obtain samples from POL or their distributors for your own product testing, as properties may vary with different LED types.

Due to continuous product improvement, POL reserve the right to change specifications without notice.

© Copyright Polymer Optics Limited 2016