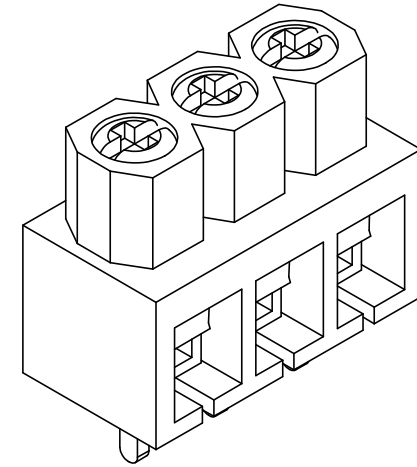
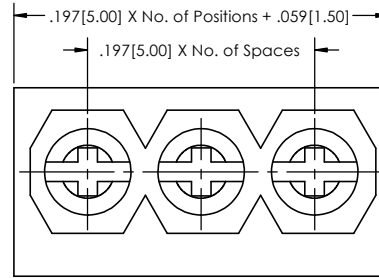
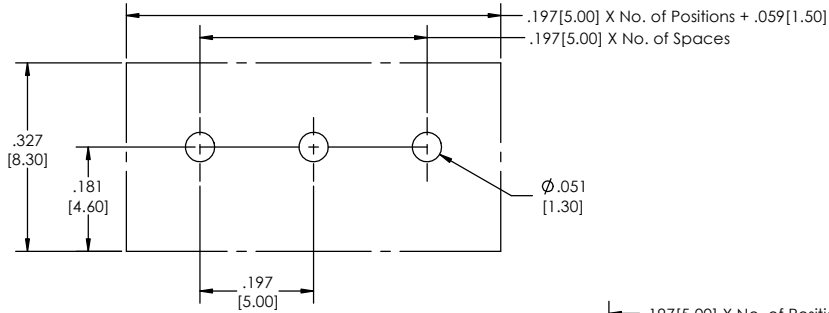


**Recommended P.C. Board Layout**  
SCALE 6:1



TBW - 06 - **197** - **XX** - **XX** - **LF**  
**(A) (B) (C) (D)**

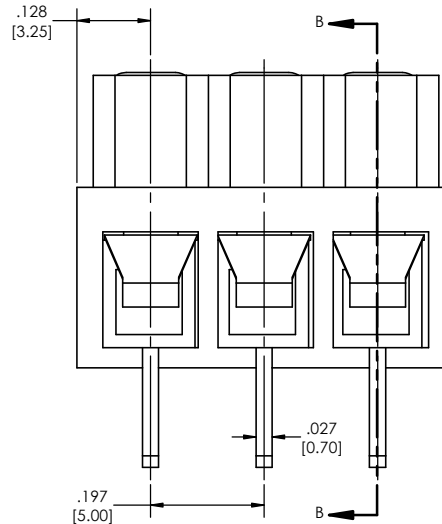
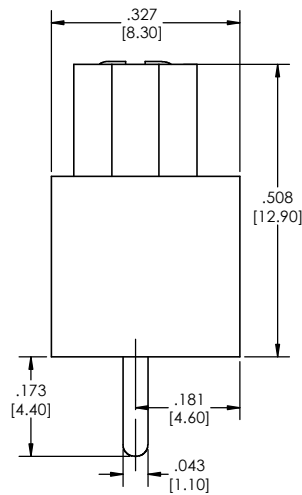
- A. Pitch  
- 197= .197(5.00) cl  
B. No. of Positions  
- 02-24

- C. Color  
- GR= Green (Standard)  
- BK= Black  
- BL= Blue  
- WH= White  
- GY= Grey  
- OR= Orange  
- YW= Yellow  
- RD= Red  
- BR= Brown

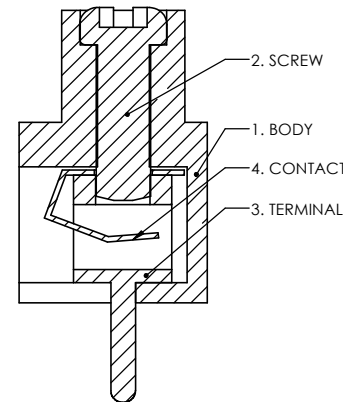
- D. Lead Free  
Specifications:  
Current Rating: 10 Ampere  
Voltage Rating: AC 250V  
Wire Range: 12-18 AWG  
Insulation Resistance: DC 500V 500M ohms  
Dielectric Withstanding Voltage: AC 2500V/1 minute  
Operation Temperature: -33°C to +105°C  
Max Torque: 3.47 lb-in (4.0kgf. cm)  
Strip Length: .177-.197 (4.5-5mm)

- Materials:  
1. Body: PA66 (Nylon), UL94 V-0  
2. Screw: M3.0\*0.5, C1018 Steel, Zinc Plated  
3. Terminal: H62 Brass, Tin Plated  
4. Contact: SUS301 Stainless Steel

Tails may be clipped to achieve specific dimensions.  
Products cut to specific sizes are uncancellable/ nonreturnable.  
Parts are subject to change without notice.



SECTION B-B



PROPRIETARY AND CONFIDENTIAL  
THE INFORMATION CONTAINED IN THIS DRAWING IS THE SOLE PROPERTY OF Major League Electronics. ANY REPRODUCTION IN PART OR AS A WHOLE WITHOUT THE WRITTEN PERMISSION OF Major League Electronics IS PROHIBITED.

UNLESS OTHERWISE SPECIFIED:		NAME	DATE		
DIMENSIONS ARE IN INCHES		DRAWN	EOW		04/16/14
TOLERANCES:		CHECKED	GWE		04/16/14
ONE DECIMALS ±.100		ENG APPR.			
TWO DECIMAL ±.010		MFG APPR.			
THREE DECIMAL ±.005		ADDRESS:		TITLE: TBW-06-197 Series	
FOUR DECIMAL ±.002		2533 Centennial Blvd.		SIZE DWG. NO.	
NEXT ASSY USED ON		Jeffersonville, IN 47130		REV	
APPLICATION		Phone: 812-670-4174		A	
DO NOT SCALE DRAWING		Fax: 812-670-4175		SCALE 6:1	
		E-Mail: mle@mlelectronics.com		SHEET 1 OF 1	