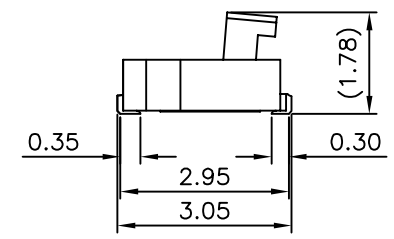
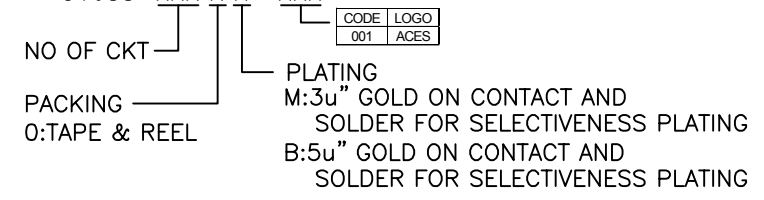
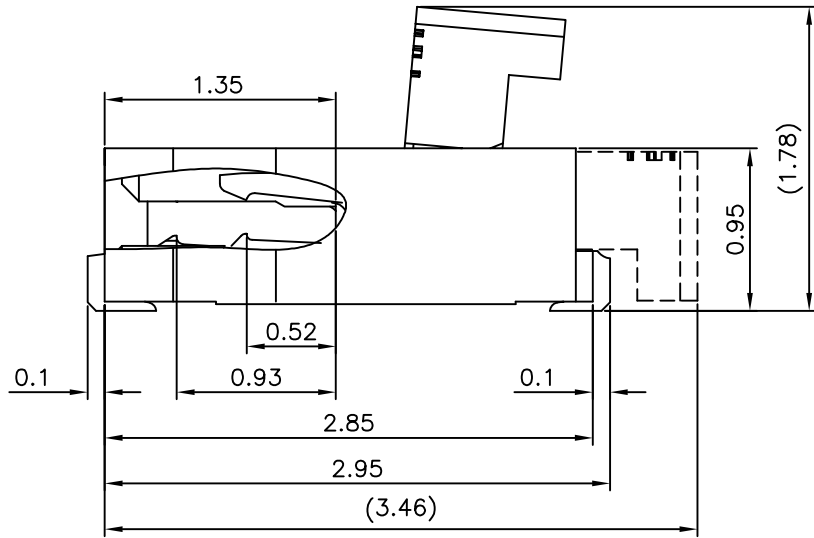


- NOTES:
- MATERIAL:
 - HOUSING: THERMOPLASTIC, HIGH TEMP.UL94V-0; COLOR:WHITE.
 - ACTUATOR: THERMOPLASTIC, HIGH TEMP.UL94-0; COLOR:BLACK.
 - CONTACT: COPPER ALLOY
 - FINISH:
 - CONTACT:
 - M: 3u" MIN. PLATING GOLD ON CONTACT
 - B: 5u" MIN. PLATING GOLD ON CONTACT
 - 1u" MIN. PLATING GOLD ON SOLDER
 - 50~120u" NICKEL PLATING OVERALL
 - SPEC. PLS. REFER TO PS-51688-XXXX-XXX
 - PACKAGE PLS. REFER TO 51688-XXXX-XX-TRP
 - PART NUMBER: 51688-XXX X X -XXX

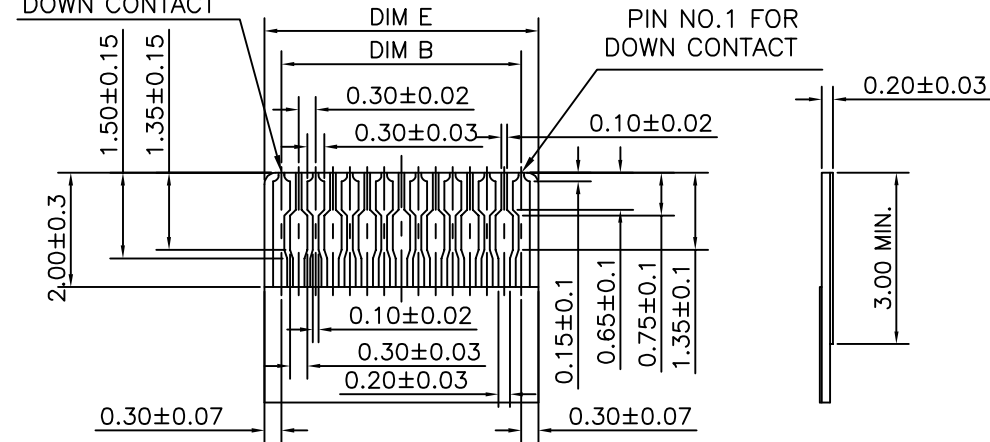


QUALITY SYMBOLS MAJOR Ⓢ CRITICAL Ⓢ GENERAL TOLERANCES (UNLESS SPECIFIED) X. ±0.50 .X ±0.25 .XX ±0.15 .XXX ±0.10 ANGLES ±2°	DRAWN BY Tsai, Wang Kun DATE 20/05/27		TITLE 0.3MM PITCH ZIF BACK-FLIP FPC CONN SMT R/A D/C	
	CHECKED BY Liu, Yuan Huang DATE 20/05/27			DWG NO. NA
	APPROVED BY Wang, Chun Sheng DATE 20/05/27	UNITS mm		SIZE A4
	SCALE 1:1	SHEET NO. 1 OF 3	REV C	PART NO. 51688-XXXX-XXX



SCALE 3:1

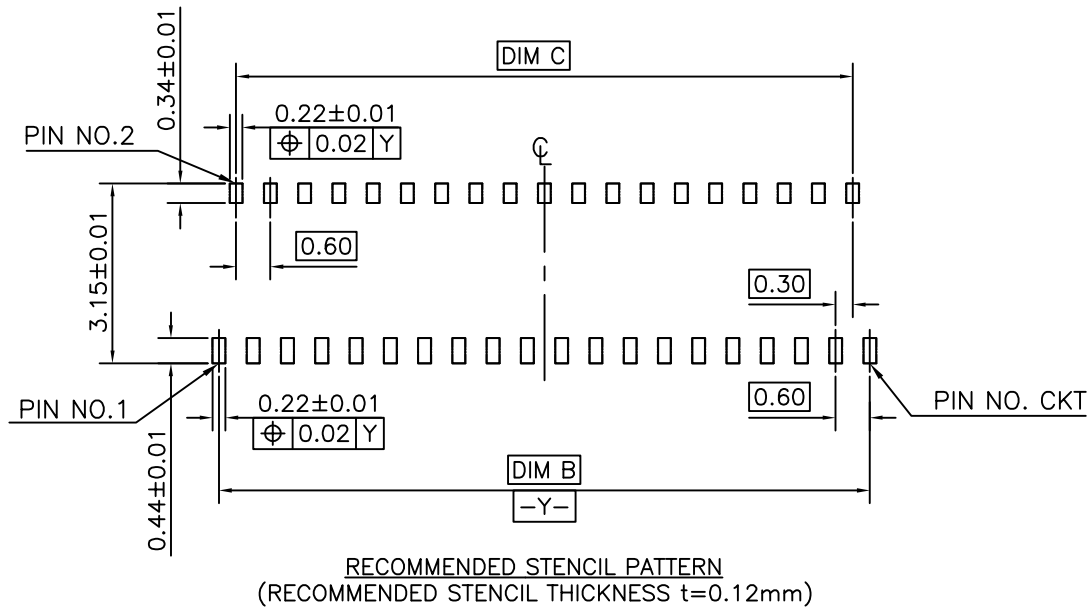
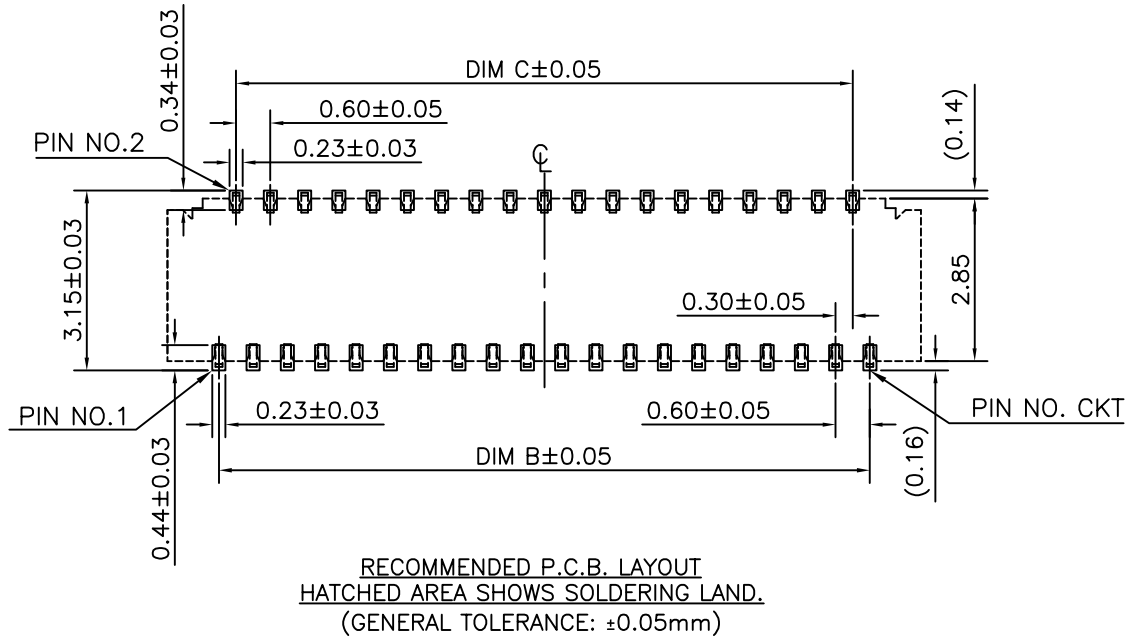
PIN NO. CKT FOR DOWN CONTACT



APPLICABLE FPC RECOMMENDED DIM
(GENERAL TOLERANCE: ±0.05mm)

CKT	Dim A	Dim B	Dim C	Dim D	Dim E
7	3.60	1.80	1.20	2.43	2.40
9	4.20	2.40	1.80	3.03	3.00
11	4.80	3.00	2.40	3.63	3.60
13	5.40	3.60	3.00	4.23	4.20
15	6.00	4.20	3.60	4.83	4.80
17	6.60	4.80	4.20	5.43	5.40
19	7.20	5.40	4.80	6.03	6.00
21	7.80	6.00	5.40	6.63	6.60
23	8.40	6.60	6.00	7.23	7.20
25	9.00	7.20	6.60	7.83	7.80
27	9.60	7.80	7.20	8.43	8.40
29	10.20	8.40	7.80	9.03	9.00
31	10.80	9.00	8.40	9.63	9.60
33	11.40	9.60	9.00	10.23	10.20
35	12.00	10.20	9.60	10.83	10.80
37	12.60	10.80	10.20	11.43	11.40
39	13.20	11.40	10.80	12.03	12.00
41	13.80	12.00	11.40	12.63	12.60
45	15.00	13.20	12.60	13.83	13.80
51	16.80	15.00	14.40	15.63	15.60

QUALITY SYMBOLS MAJOR Ⓢ CRITICAL Ⓢ GENERAL TOLERANCES (UNLESS SPECIFIED) X. ±0.50 .X ±0.25 .XX ±0.15 .XXX ±0.10 ANGLES ±2°	DRAWN BY Tsai, Wang Kun DATE 20/05/27	
	CHECKED BY Liu, Yuan Huang DATE 20/05/27	
	APPROVED BY Wang, Chun Sheng DATE 20/05/27	DWG NO. NA
UNITS mm		SIZE A4
SCALE 1:1	SHEET NO. 2 OF 3	REV C
		PART NO. 51688-XXXXX-XXX



QUALITY SYMBOLS MAJOR CRITICAL	DRAWN BY	DATE		
	Tsai, Wang Kun	20/05/27		
GENERAL TOLERANCES (UNLESS SPECIFIED) X. ±0.50 .X ±0.25 .XX ±0.15 .XXX ±0.10 ANGLES ±2°	CHECKED BY	DATE	TITLE 0.3MM PITCH ZIF BACK-FLIP FPC CONN SMT R/A D/C	
	Liu, Yuan Huang	20/05/27		
	APPROVED BY	DATE	SIZE	DWG NO.
	Wang, Chun Sheng	20/05/27	A4	NA
	UNITS	SCALE	SHEET NO.	REV
	mm	1:1	3 OF 3	C
			PART NO.	
			51688-XXXXX-XXX	