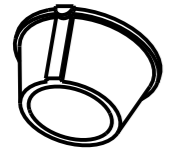
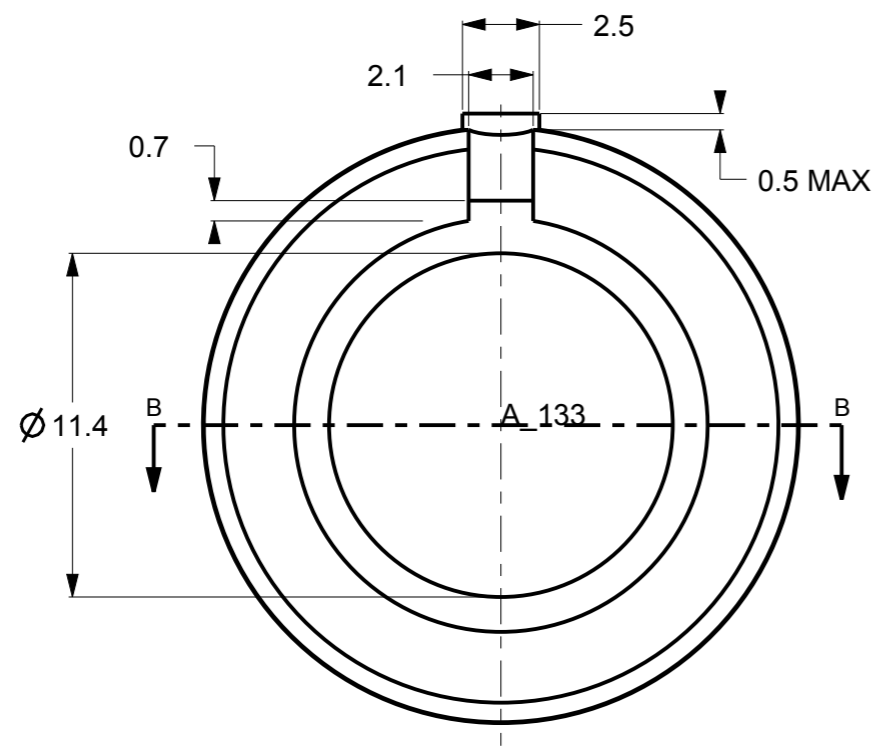
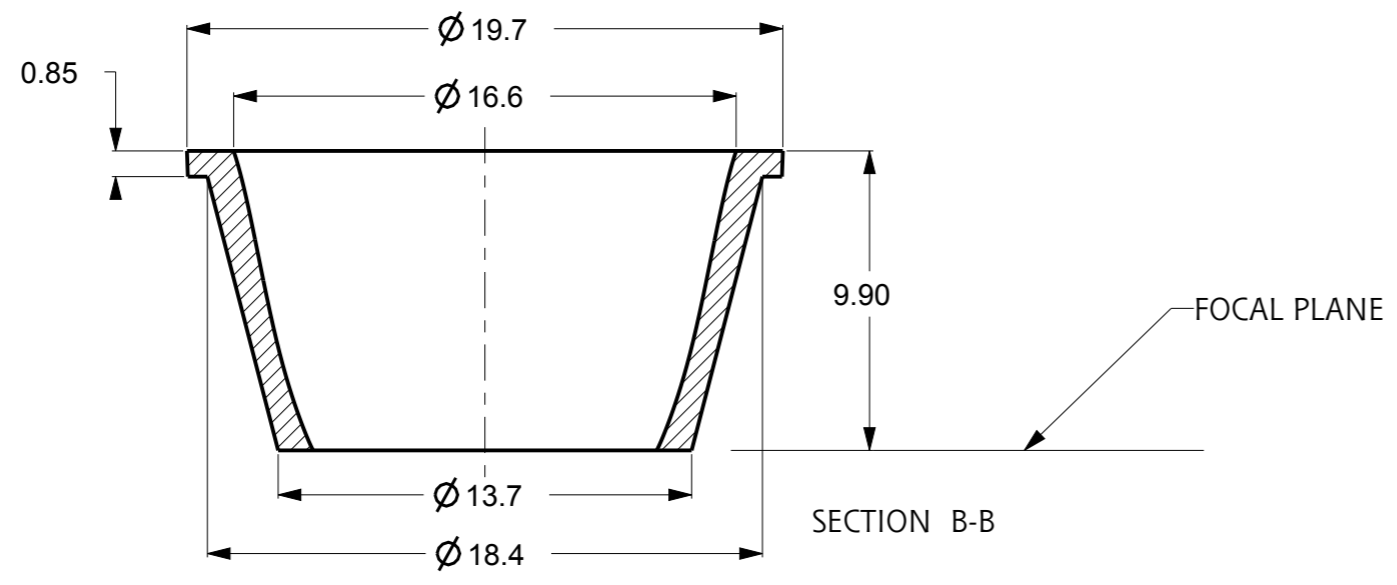


CUSTOMER DRAWING SHEET 2 ONLY

REV.	DATE	D.C.N. NUMBER	DESCRIPTION	CHECKED BY DATE	APPROVED BY DATE
1	21/06/06		FIRST ISSUE	AB 22/06/06	AJD 26/06/06
2	29/04/10	04-10-1270	DRW DATA FILE NUMBER UPDATED	AB 05/05/10	MB 07/05/10
2A	17/11/11	11-11-1315	ADDED PART NUMBERS TABLE	PW 17/11/11	MB 22/11/11



GENERAL VIEW
SCALE 1:1



PART NUMBER	SUBSTRATE	COATING
PP/ 10170/01	POLYCARBONATE	NONE
10170	POLYCARBONATE	ALUMINIUM
10255	POCAN	NONE

SCALE 4:1

Sheet 1 of 1

<p>technical plastics 103 BUCKINGHAM AVE, SLOUGH, BERKSHIRE, SL1 4PF, UK Tel: +44 1753 610800 Fax: +44 1753 811359 design@carclo-optics.com www.carclo-optics.com</p>	Title		80 DEG FWHM DIA 20mm REFLECTOR OPTIC		
	Customer		CARCLO		
Third Angle Projection	GENERAL TOLERANCES UNLESS OTHERWISE STATED		Material	Scale	AS SPEC.
	LINEAR: 0 ± 0.25, 0.0 ± 0.1, 0.00 ± 0.05 ANGULAR: 0 ± 1°, 0.0 ± 0.5°, 0.00 ± 0.1°		Drawn by	SEE TABLE	Format Size
	DIMENSIONS IN mm		AJD	Format Size	A3
CAD File 60426			Drw. N° 60426		
Part N° 10170			CONFIDENTIAL: UNAUTHORISED COPYING, DISCUSSION & DISTRIBUTION PROHIBITED		