



Type 550X

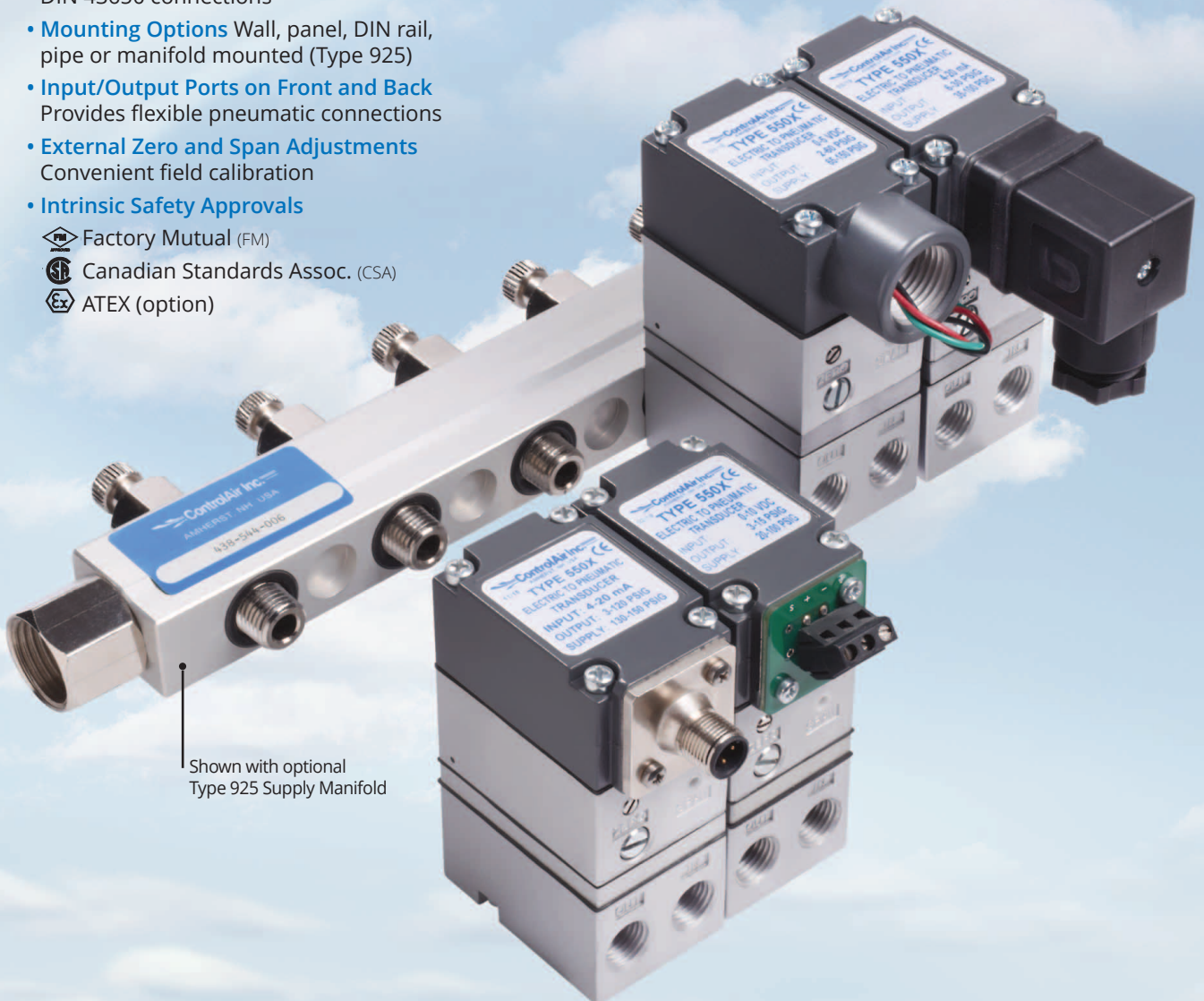
Miniature I/P, E/P Transducer

Accurate and economical electronic pressure control

The Type 550X is an electronic pressure regulator that converts a variable signal (current or voltage) to a proportional pneumatic output. Its compact housing, accessible ports and easy adjustments provide an ideal answer to applications that are space-constrained. This economical instrument provides precision air pressure regulation to actuators, valves, positioners and other final control elements. An integral volume booster provides high flow capacity, increasing control speed in critical applications.

Features

- **Compact Size**
Great for high density mounting
- **Easy Wiring**
Conduit, terminal block, M12 or DIN 43650 connections
- **Mounting Options** Wall, panel, DIN rail, pipe or manifold mounted (Type 925)
- **Input/Output Ports on Front and Back**
Provides flexible pneumatic connections
- **External Zero and Span Adjustments**
Convenient field calibration
- **Intrinsic Safety Approvals**
 - ◊ Factory Mutual (FM)
 - CS Canadian Standards Assoc. (CSA)
 - Ex ATEX (option)



Shown with optional
Type 925 Supply Manifold

Type 550X Compact housing, versatile mounting



Functional Specifications

	Standard Range			High Output Range			Zero-Based Range			
Inputs	4-20 mA 0-5 Vdc, 0-10 Vdc, 1-5 Vdc, 1-9 Vdc									
Outputs psig (bar)	3-15 (0.2-1.0)	3-27 (0.2-1.8)	6-30 (0.4-2.0)	2-60 (0.14-4.0)	3-120 (0.2-8.0)	0-30 (0.0-2.0)	0-60 (0.0-4.0)	0-120 (0.0-8.0)		
Supply Pressure (bar)	20-100 (1.4-6.9)	32-100 (2.2-6.9)	35-100 (2.4-6.9)	65-150 (4.5-10.0)	125-150 (8.6-10.0)	35-100 (2.4-6.9)	65-150 (4.5-10.0)	125-150 (8.6-10.0)		
Air Consumption	1.8 scfh (0.05 m3/hr) at mid range typical					6.0 scfh (0.17 m3/hr) at mid range typical				
Flow Capacity	12.0 scfm (339.6 NI/min) at 100 psig (6.9 bar) supply			12.0 scfm (339.6 NI/min) at 100 psig (6.9 bar) supply	20.0 scfm (566 NI/min) at 150 psig (10.0 bar) supply	12.0 scfm (339.6 NI/min) at 100 psig (6.9 bar) supply 20.0 scfm (566 NI/min) at 150 psig (10.0 bar) supply				
Temperature Limits	-40° to +158° F (-40° to +70° C)									
Impedance	4-20 mA 180 Ohms 0-5 Vdc 615 Ohms 0-10 Vdc 1230 Ohms 1-5 Vdc 495 Ohms 1-9 Vdc 985 Ohms	4-20 mA 240 Ohms 0-5 Vdc 550 Ohms 0-10 Vdc 1100 Ohms 1-5 Vdc 440 Ohms 1-9 Vdc 880 Ohms	4-20 mA 240 Ohms 0-5 Vdc 550 Ohms 0-10 Vdc 1100 Ohms 1-5 Vdc 440 Ohms 1-9 Vdc 880 Ohms	4-20 mA 245 Ohms 0-5 Vdc 520 Ohms 0-10 Vdc 1040 Ohms 1-5 Vdc 495 Ohms 1-9 Vdc 900 Ohms	4-20 mA 280 Ohms 0-5 Vdc 500 Ohms 0-10 Vdc 1000 Ohms 1-5 Vdc 475 Ohms 1-9 Vdc 880 Ohms	4-20 mA 290 Ohms 0-5 Vdc 450 Ohms 0-10 Vdc 900 Ohms 1-5 Vdc 410 Ohms 1-9 Vdc 830 Ohms	4-20 mA 300 Ohms 0-5 Vdc 480 Ohms 0-10 Vdc 960 Ohms 1-5 Vdc 460 Ohms 1-9 Vdc 800 Ohms	4-20 mA 315 Ohms 0-5 Vdc 495 Ohms 0-10 Vdc 990 Ohms 1-5 Vdc 455 Ohms 1-9 Vdc 785 Ohms		

Performance Specifications

Linearity (Independent)	<±0.5% of span	<±2.0% of span	<±1.5% of span
Hysteresis, & Repeatability	<0.5% of span		<1.0% of span
Supply Pressure Sensitivity	<0.1% of span per 1.0 psig (0.07 bar)	<0.4% of span per 1.0 psig (0.07 bar)	<0.02% of span per 1.0 psig (0.07 bar)
RFI/EMI Effect	Less than .5% of span change in output pressure per En 61000-4-3:1998, Amendment 1, Performance Criterion A		

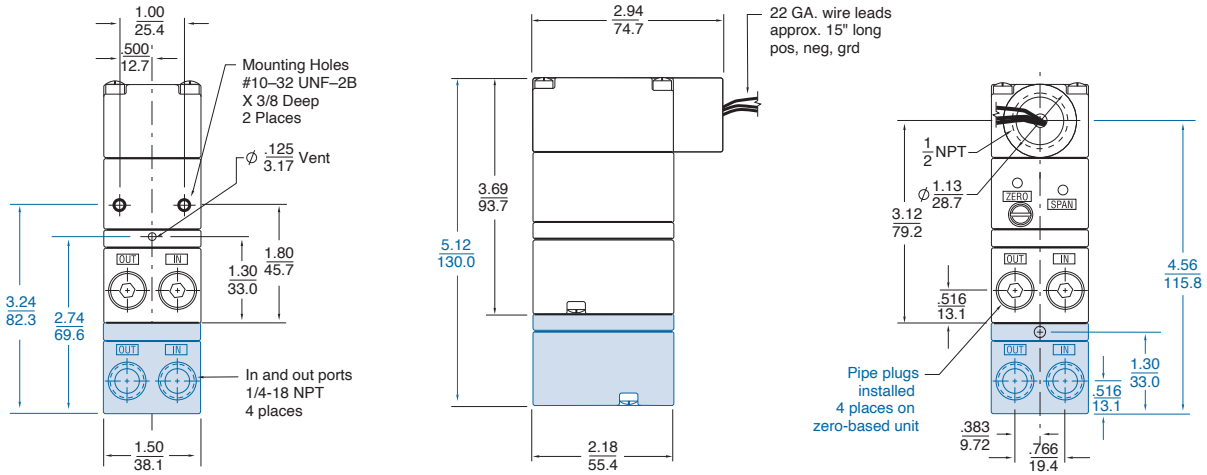
Physical Specifications

Port Sizes	Pneumatic 1/4" NPT, 1/4" BSP (option)
Media	Clean, dry, oil-free, instrument air, filtered to 40 micron
Electrical Connections	Conduit 1/2" NPT (A), Terminal Block (T), DIN 43650 (D), M12 (M)
Mounting	Direct wall, panel, 1 1/2" pipe, DIN rail or manifold (see Type 925 catalog)
Materials	Housing: Chromate-treated aluminum with epoxy paint. Elastomers: Buna-N Trim: Stainless steel; brass; zinc-plated steel
Weight	Standard Unit: 1.3 lbs (.60 kg) Zero-based Unit: 1.7 lbs (.77 kg)
Enclosure	NEMA 4X/IP65 (Conduit Connection "A" only)

Dimensional Drawings

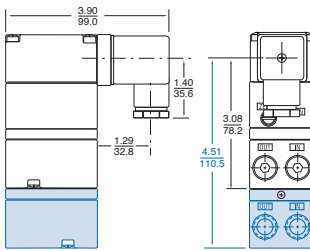
1/2 inch Conduit Connection (A)

Blue areas and dimensions apply to the zero-based unit only



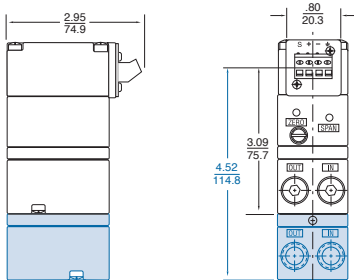
DIN 43650 Connector (D)

Blue areas and dimensions apply to the zero-based unit only



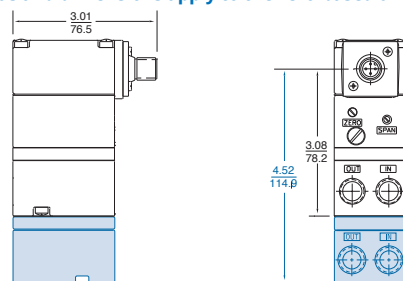
Terminal Block (T)

Blue areas and dimensions apply to the zero-based unit only



M12 Connector (M)

Blue areas and dimensions apply to the zero-based unit only

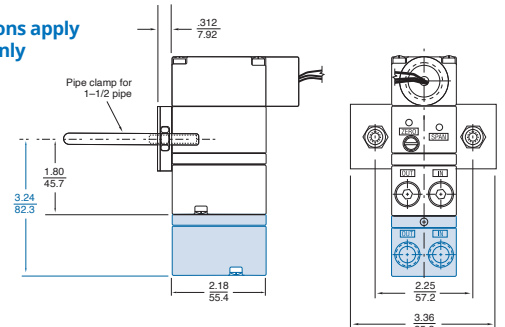


Mounting Options

Pipe Mounting

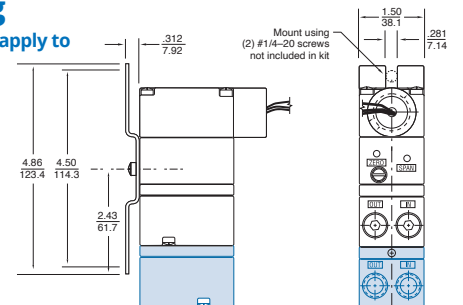
Kit #448-542-005

Blue areas and dimensions apply to the zero-based unit only



Panel Mounting

Blue areas and dimensions apply to the zero-based unit only



DIN Rail Mounting

Kit #445-766-024

DIN Rail suitable for EN-50035, EN-50045 and EN-50022 Rails

Blue areas and dimensions apply to the zero-based unit only

