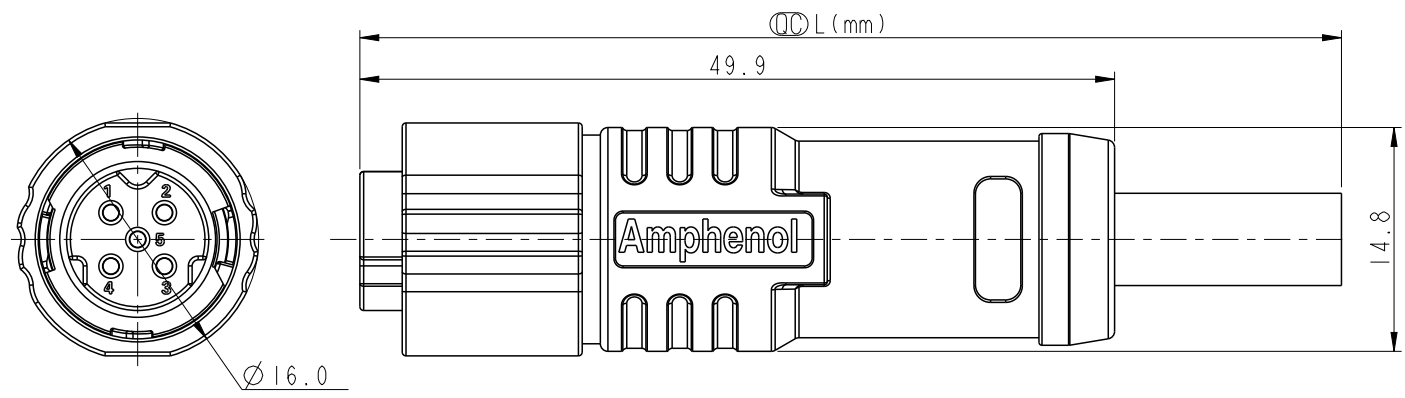


THIS DOCUMENT IS SUBJECT TO CHANGE WITHOUT NOTICE. IT IS CONFIDENTIAL AND A PROPERTY OF Amphenol LTW. DISCLOSURE TO THIRD PARTY HAS TO BE AUTHORIZED BY Amphenol LTW.

5P	PU	6.1	20	ASD-05BFFM-QL8BXX
Contacts	Cable Jacket	Cable OD	AWG	Item No.

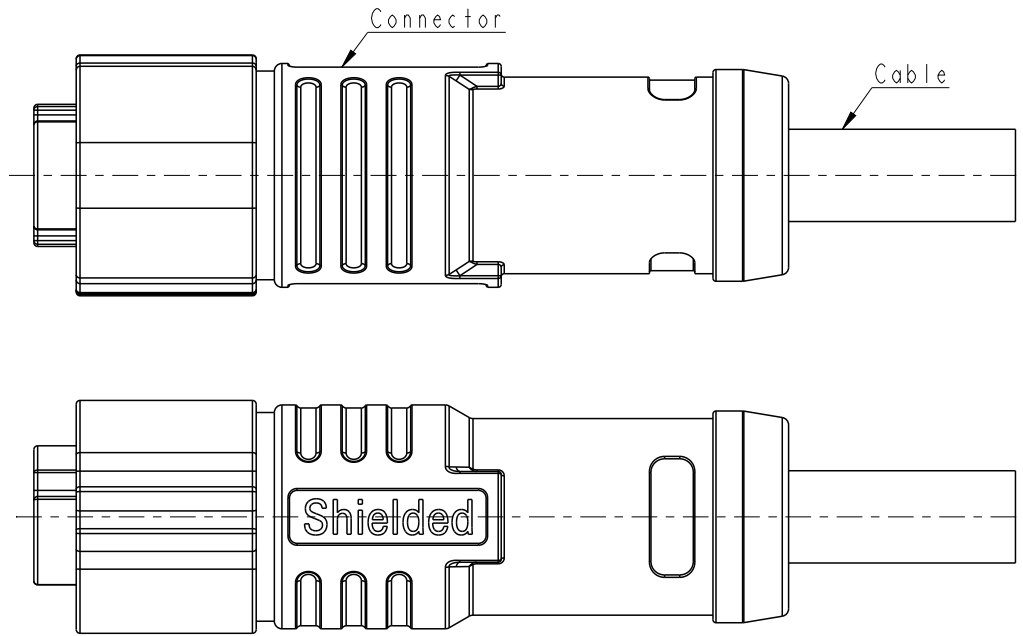
REV.	ECN NO.	DATE	SIGN	DESCRIPTION
A		2022-01-03	Sam Ho	Rev.01 to A, Initial Released



ASD-XXBFFM-QL8BXX

- XX: L=0~99Meters
- 01: L=1Meters
- 02: L=2Meters
- ⋮
- 99: L=99Meters

XX: No. Of Pin



Note:

- * RoHS Compliant
- * \varnothing Important dimension
- * Waterproof rate: IPX8, mated 1m/24h
- * Connector
- Housing: Thermoplastic, Black
- Pin: Copper alloy, Gold plated
- Shield: Metal
- Nut: Metal
- Outer mold: Thermoplastic, Black
- * Cable: UL20549, PU Jacket, Black
- * Cable length tolerance:

1M < L ≤ 3M:	+100/-0 mm
3M < L ≤ 5M:	+150/-0 mm
5M < L ≤ 10M:	±100 mm
10M < L ≤ 20M:	±200 mm
20M < L ≤ 30M:	±300 mm
30M < L ≤ 99M:	±500 mm

Shield Braid	編織
5 Yellow	黃
4 Orange	橘
3 Red	紅
2 Brown	棕
1 Black	黑
Pin #	Wire
5P	
Pin Assignments Front View	

UNIT:mm	
TOLERANCE	±0.50mm

TITLE XLOK, A SHLD-5A, 05P, CABLE W/O SR			
SCALE 2:1	SIZE A4	SHEET 1 OF 1	
REV. A	WC-REV.	\varnothing : Inspection item	

Amphenol LTW
安費諾亮泰企業股份有限公司

ITEM NO.	DRAWN BY Sam Ho	DATE 2021-11-12
DWG NO. ASD-XXBFFM-QL8BXX	CHECKED BY Fred Lee	DATE 2021-11-12
CUSTOMER ALTW	APPROVED BY Fred Lee	DATE 2021-11-12