

Forward Transformer

EPC3577G-LF

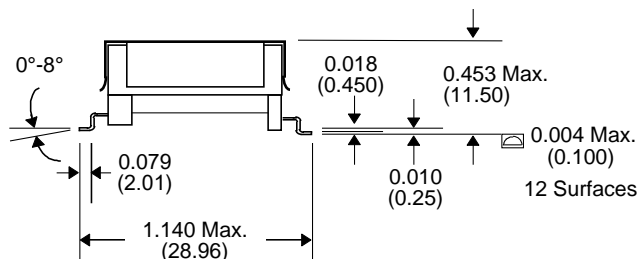
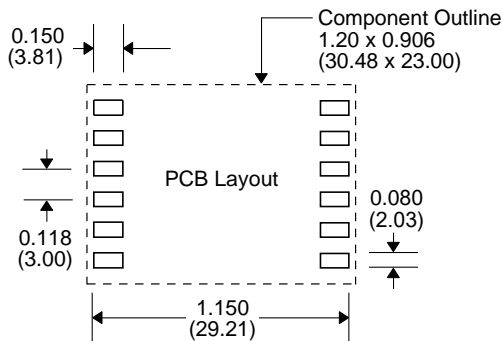
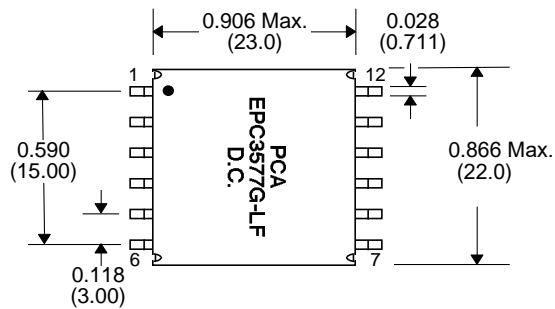


- 90W PoE Synchronous Forward Transformer
- Designed to work with Linear Technology LT4276A
- Lead free
- Class B Insulation System
- Switching Frequency: 200kHz
- Duty Cycle: 65% Max.
- Switching Ipeak: 7A
- Operating Temperature: -40°C to +125°C
- Storage Temperature: -40°C to +125°C

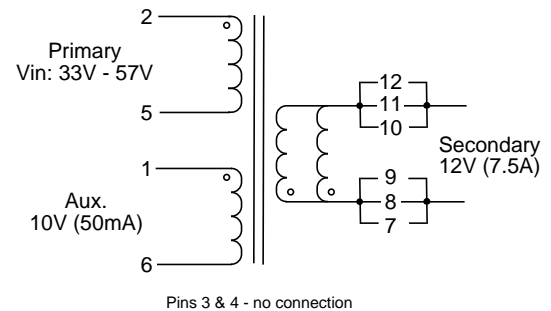
Electrical Parameters @ 25°C

Inductance ($\mu\text{H} \pm 10\%$)	Leakage Inductance (μH Max.)	Interwinding Capacitance (pF Max.)	DCR (m Max.)			Turns Ratio	Hipot (Vrms)	
			Primary	Aux.	Secondary		Wdgs. to Core	Pri. & Aux. to Sec.
@100kHz, 1.0Vrms	@100kHz, 0.1Vrms	@100kHz, 0.1Vrms					60Hz, 60 secs	
180	0.45	250	25	200	10	1.5:0.875:1	1500	1500
Primary	Primary with Aux. & Sec. shorted	Primary to Aux. & Secondary	Primary	Aux.	Secondary	Pri.: Aux.: Sec	Wdgs. to Core	Pri. & Aux. to Sec.

Package



Schematic



Notes	EPC3577G-LF
1. Lead Finish	Pb-Free
2. Peak Solder Rating	260°C
3. Weight	14.6 grams
4. Packaging Information (Tray)	40 pcs./ Tray

Unless Otherwise Specified Dimensions are in Inches /mm ± .010 / .25