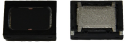


## CS18-01P95-04-1X

Rev. 1-2022  
RoHS3 & REACH  
IP67 Front Face  
Mobile Speakers



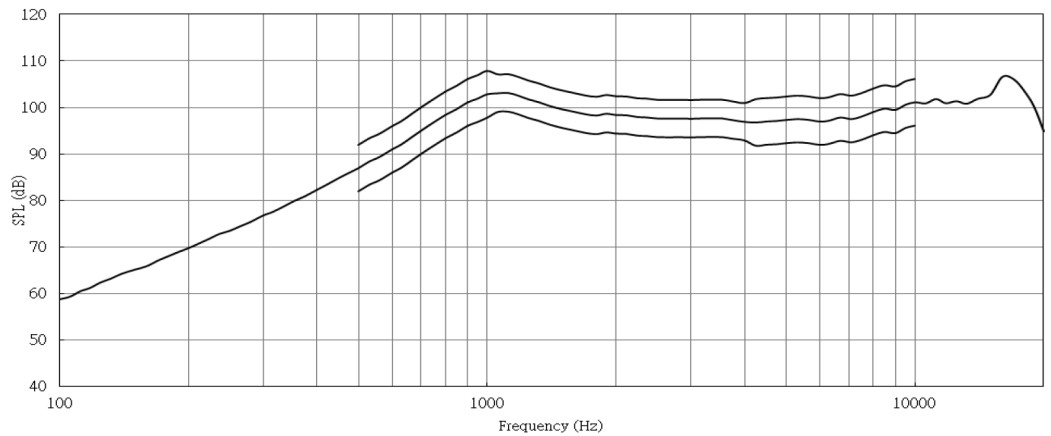
### Operating Characteristics

#### ELECTRICAL

Rated Power	1 W
Short Term Max Power	1.2 W
Impedance	8 Ω ± 15 % 2000 Hz; 1 W

#### ACOUSTIC: 1cc Sealed Enclosure

$f_o$	950 Hz ± 20 % 1 W
Freq. Range	950 to 20000 Hz
Rated SPL	100 ± 3 dB 800, 1000, 1500, 2000 Hz; 1 W; 10 cm;
Distortion	Max 5 % 800-8000 Hz; 1 W



### Physical Characteristics

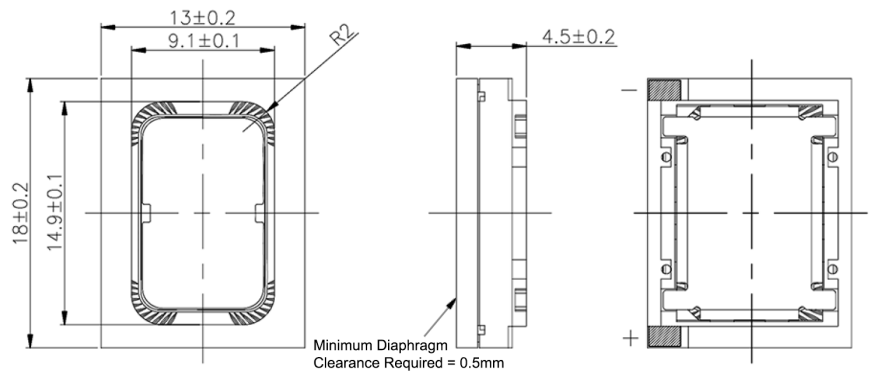
#### MATERIALS

Housing	Plastic
Cone	PEEK
Magnet	NdFeB
Solder Pads	Tin Plated Stainless Steel

#### TEMPERATURE RANGES

Operating	-20 to +70 °C
Storage	-40 to +85 °C

Weight 2.8 g



General tolerance = ±0.2 mm and all measurements in mm unless otherwise noted.

Revision	Description	By	Date
0-2022	Original Specification	CT	2022-02-03
1-2022	Added minimum diaphragm clearance requirement callout to the mechanical drawing. Added product photo.	CT	2022-05-12

Warranty: For a period of one (1) year from date of shipping under normal operations conditions. This warranty does not apply to products damaged through misuse, abuse, improper installation, alteration, rework, or attempt to repair.

The information contained herein is believed to be correct, but no guarantee or warranty, express or implied, with respect to accuracy, completeness or results is extended and no liability is assumed. Challenge Electronics reserves the right to make changes in any specification, data or material contained herein.