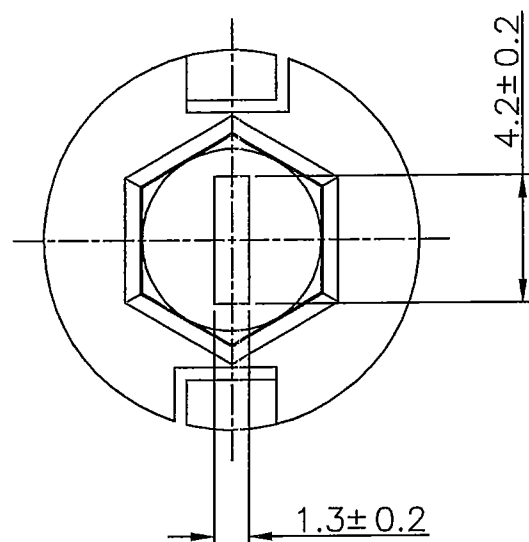
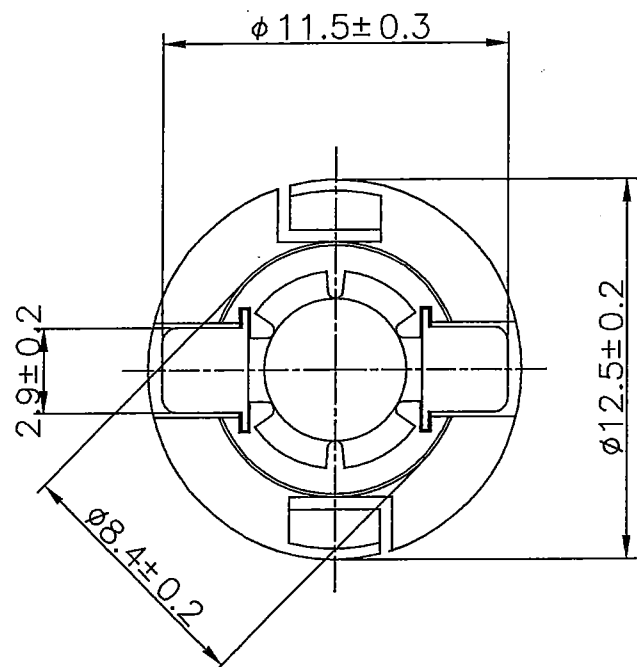
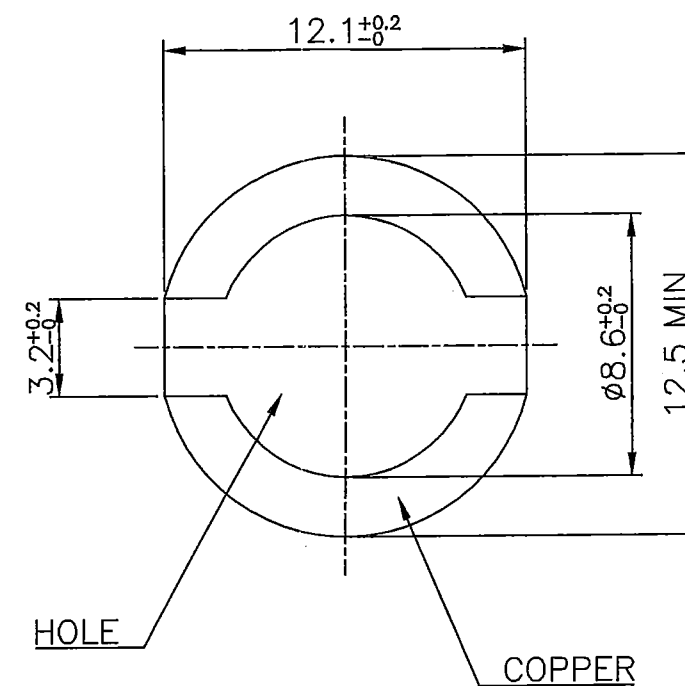


REVISIONS			
LET	DESCRIPTION	BY	DATE
	8.0MAX→8.5MAX	Y.M	930727
	BASE TYPE CHANGE	S.S	030513

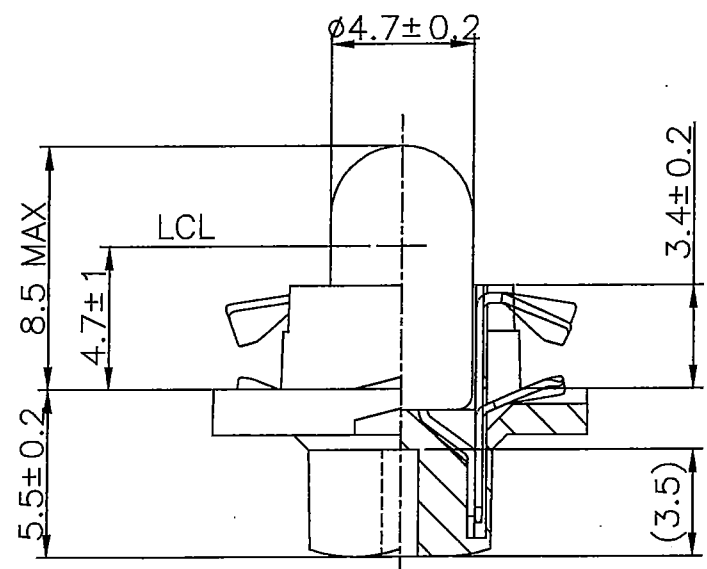
BOTTOM VIEW



PCB HOLE



HOLE THICKNESS 1.45~1.65mm



P/No.	OL-5078PBC-001988
DESIGN VOLT	6.3V
DESIGN AMP	180mA± 10%
BRIGHTNESS	0.4MSCP± 25%
FILAMENT SHAPE	C-2R
BASE COLOR	WHITE



SCALE	UNIT	MATERIAL		
4/1	m.m			
TITLE		DATE		
T-1 1/2PBC LAMP		030513		
		Oshino Lamps Limited SHINAGAWA, TOKYO, JAPAN		
DRAWN	CHECKED	APPROVED	D.W.G.NO.	REV.
S.S	<i>M.S</i>	<i>CA</i>	001988	