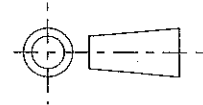


ISS.	DATE	E.C.N.	DESCRIPTION
1	17-Aug-06		FIRST ISSUE
1A	26-Jan-11	10/09/1254	DIM. TOLLERANCES CHANGED + NOTE ADDED

© 2010 CTP-COIL
ALL DIMENSIONS IN mm

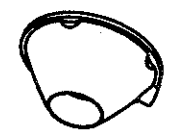
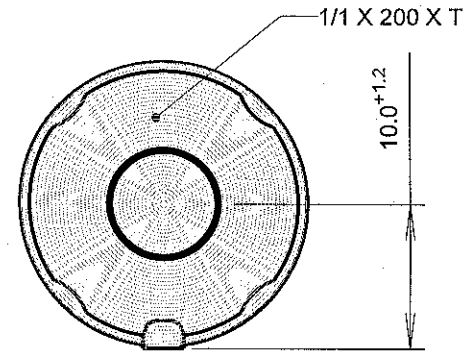


CUSTOMER DRAWING



CARCLO TECHNICAL PLASTICS (SLOUGH)
111 BUCKINGHAM AVE, SLOUGH
SL1 4PF, ENGLAND
TEL: +44 1753 575011 FAX: +44 1753 811359
e-mail: design@carclo-optics.com}

- NOTES:
1. MATERIAL - UV STABILISED POLYCARBONATE
2. INCLUSIONS SPECIFIED TO BS4301



3D VIEW
SCALE 1:1

GENERAL TOLERANCES (UNLESS STATED)

LINEAR	ANGULAR
X +/- 0.25	X +/- 1°
X.X +/- 0.1	X.X +/- 0.5°
X.XX +/- 0.05	X.XX +/- 0.1°

CUSTOMER

CARCLO

TITLE

WIDE CIRCULAR 14MM
OFFSET FOCUS 20MM DIA OPTIC

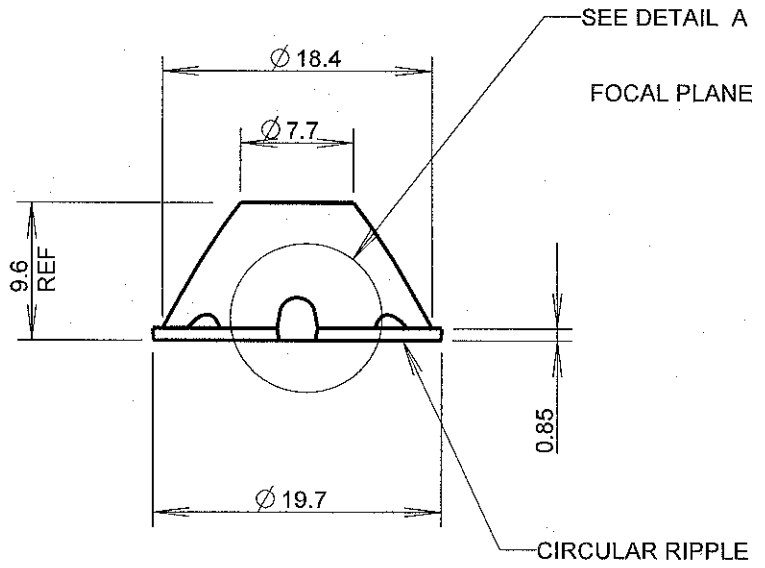
DRAWN AJD DATE 17-Aug-06

CHK'D DATE

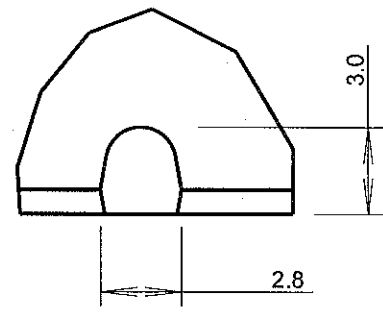
APP'D DATE

SCALE 2:1 CARCLO PART No. 10211

SIZE A4 CARCLO DRG. No. 60439 SHEET 2 OF 2



DETAIL A
SCALE 4:1



1
2
3
4
5

1
2
3
4
5

A B C D E F G