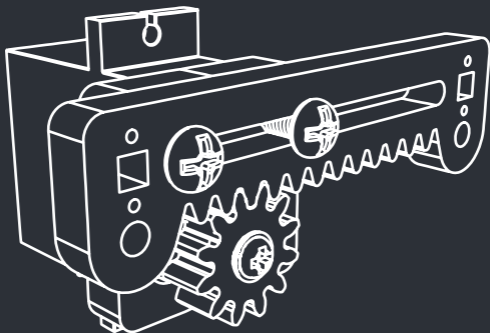


Kitronik

PUSH THE BOUNDARIES WITH OUR

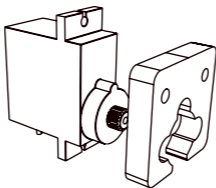
# LINEAR ACTUATOR



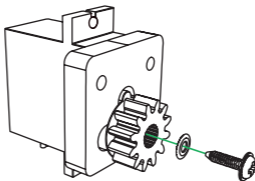
V1.0

# ACTUATOR ASSEMBLY

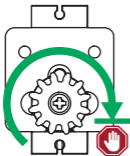
1



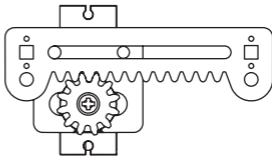
2



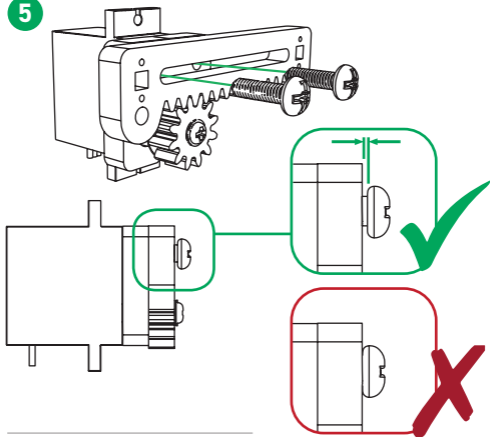
3



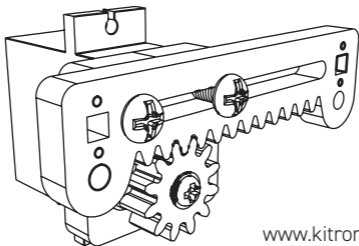
4



5



6





## TOOLS REQUIRED

- Small Phillips Screwdriver

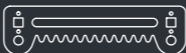


## STOCK CODE

2595



## CONTENTS





**WARNING** : Contents may inspire creativity

T: 0845 8380781

W: [www.kitronik.co.uk](http://www.kitronik.co.uk)

E: [support@kitronik.co.uk](mailto:support@kitronik.co.uk)

 Designed & manufactured  
in the UK by 



[kitronik.co.uk/twitter](https://twitter.com/kitronik)



[kitronik.co.uk/facebook](https://www.facebook.com/kitronik)



[kitronik.co.uk/youtube](https://www.youtube.com/kitronik)



[kitronik.co.uk/google](https://www.google.com/kitronik)



For more information on RoHs and CE please visit [kitronik.co.uk/rohs-ce](http://kitronik.co.uk/rohs-ce). Children assembling this product should be supervised by a competent adult. The product contains small parts so should be kept out of reach of children under 3 years old.