

## OMX-10HMIP0004 1080P HDMI Over IP 1 x 4 Transmitter OMX-11IPHM0003 1080P HDMI Over IP Receiver with 4 RJ45 Ports HDMI Over IP Extender with IR

### INSTALLATION & SPECIFICATIONS



#### OMX-10HMIP0004 Transmitter

##### Transmitter Kit Includes:

- One 5VDC/2A Power Adapter
- One IR Transmitter Cable
- Two Brackets
- Four Screws



#### OMX-11IPHM0003 Receiver

##### Receiver Kit Includes:

- One 5VDC/2A Power Adapter
- One IR Receiver Cable
- Two Brackets
- Four Screws



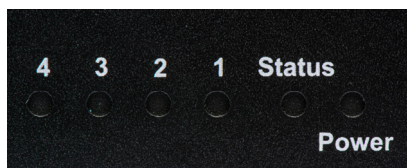
**NOTE:** Compatible with Ocean Matrix **OMX-11IPHM0001 Receiver 1080P HDMI Over IP**

## Ocean Matrix OMX-10HMIP0004 & OMX-11IPHM0003 Installation

### OMX-10HMIP0004 TRANSMITTER



1 2 3 4 5



6 7 8

- 1 Power Input
- 2 Reset (Insert pin and hold for 10 seconds. When the Status LED goes out, reset is complete.)
- 3 IR-TX Port
- 4 HDMI Input
- 5 RJ45 Ports
- 6 LED RJ45 Link Indicators
- 7 LED Transmitter Indicator
- 8 LED Power Indicator

### OMX-11IPHM0003 RECEIVER



1 2 3 4 5



6 7 8

- 1 Power Input
- 2 Reset (Insert pin and hold for 10 seconds. When the Status LED goes out, reset is complete.)
- 3 IR-RX Port
- 4 HDMI Output
- 5 LED Signal Status Indicator
- 6 LED RJ45 Link Indicators
- 7 LED Receiver Indicator
- 8 LED Power Indicator

SPECIFICATIONS		SPECIFICATIONS	
Protocol	TCP/IP	Video Format	DTV HDTV:480i/576i/480P/576P/720P/1080P
Compliance	HDMI, HDCP	Power Consumption	5W Each Unit
Transmission Distance	394 feet/120m over Cat5e/6	Enclosure	Black Powder-Coated Steel
IR Frequency	38kHz-56kHz	Dimensions Each Unit (LxWxH)	5.71 x 3.35 x 1.10 inches
Audio Format	LPCM, 2 Channel Audio	Weight Each Unit	5.12 oz
Audio Sampling Rate	32kHz, 44.1kHz and 48kHz		

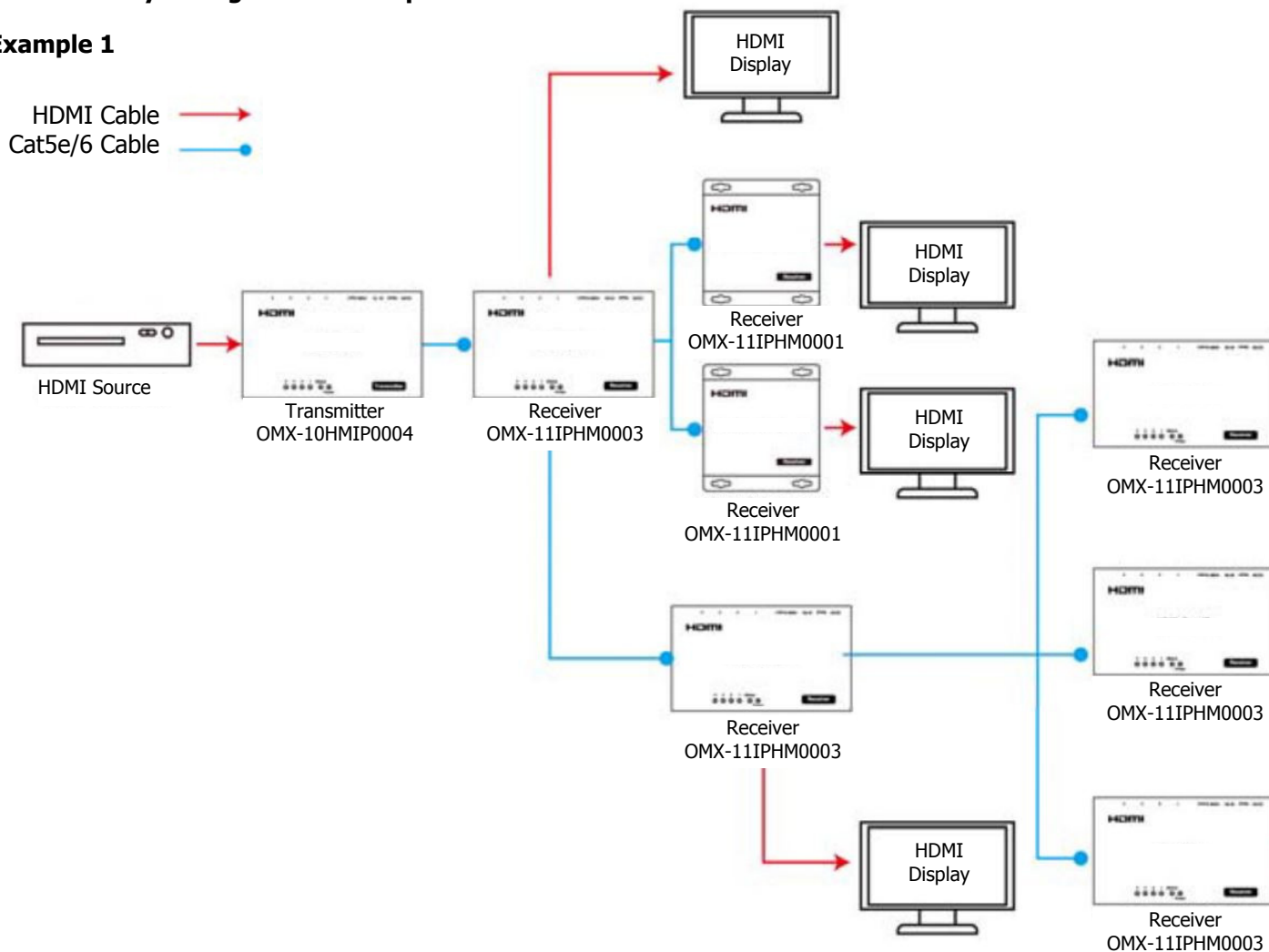
### CONNECTION

1. Connect the HDMI source to the TX.
2. Connect the TX to the RX with Cat5e/6 cable.
3. Connect the RX to the HDMI displays with HDMI cable.
4. Connect the IR TX cable to the IR port of the TX.
5. Connect the IR RX cable to the IR port of the RX.
6. Plug in the included power supplies to turn on the TX and the RX.

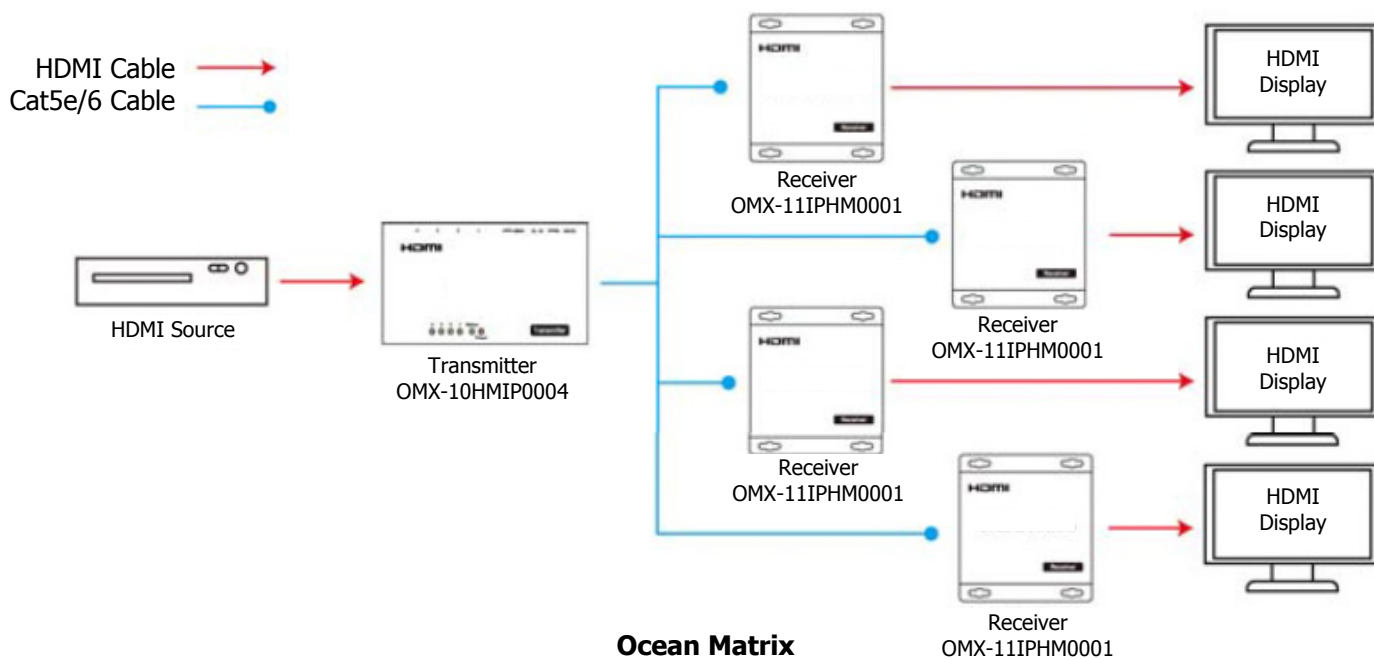
NOTE: Point to many configurations require different IP addresses and MAC addresses for each receiver.

## Point to Many Configuration Examples

### Example 1



### Example 2



# OCEAN MATRIX®

## SAFETY PRECAUTIONS

- To prevent fire or shock hazard, do not expose this equipment to dust or high humidity. Do not use in an unprotected outdoor installation or in areas classified as overly damp or wet.
- The installation temperature should be kept between 32°F to 140°F (0°C to 60°C). Avoid direct sunlight exposure or extreme changes of temperature over a short period of time.
- Do not place the unit on an unstable base and avoid heavy impact.
- Proper ventilation is required for permanent installation. Do not block or cover enclosure openings as they protect the unit from overheating.
- Prior to cleaning, turn the power off and unplug the unit from all connections. Use a damp cloth. Do not use liquid or aerosol cleaners.
- Do not overload outlets and extension cords as this may result in a risk of fire or electric shock.
- Enclosure entry is dangerous. Never push objects of any kind, including liquids, through openings as they may touch dangerous voltage points or short-out parts that could result in a fire or electric shock.
- Do not open or service this unit yourself as opening or removing covers may expose you to dangerous voltage and other hazards.
- There are no user-serviceable parts inside the unit. If the unit requires service contact your authorized dealer, or authorized repair service company.

## Federal Communications Commission (FCC) Compliance Notices

### Class A Interference Statement

This equipment has been tested and found to comply with the limits for a Class A digital device, pursuant to part 15 of the FCC Rules. These limits are designed to provide reasonable protection against harmful interference when the equipment is operated in a commercial environment. This equipment generates, uses, and can radiate radio frequency energy and, if not installed and used in accordance with the instruction manual, may cause harmful interference to radio communications. Operation of this equipment in a residential area is likely to cause harmful interference in which case the user will be required to correct the interference at his own expense.

### FCC Caution

This device complies with part 15 of the FCC Rules. Operation is subject to the following two conditions: (1) This device may not cause harmful interference, and (2) this device must accept any interference received, including interference that may cause undesired operation.