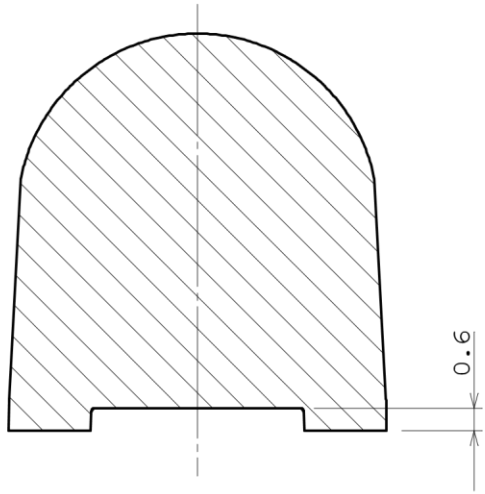
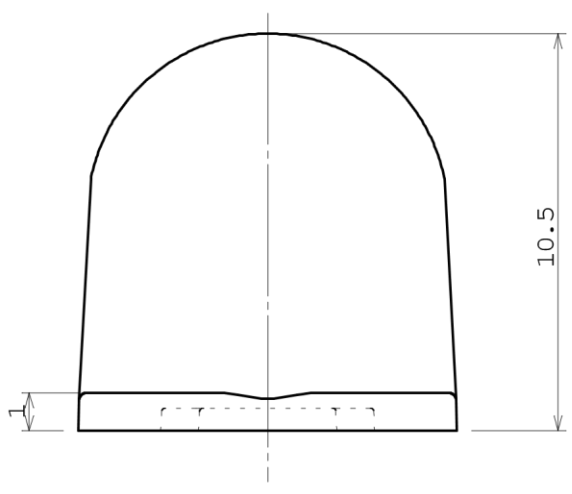
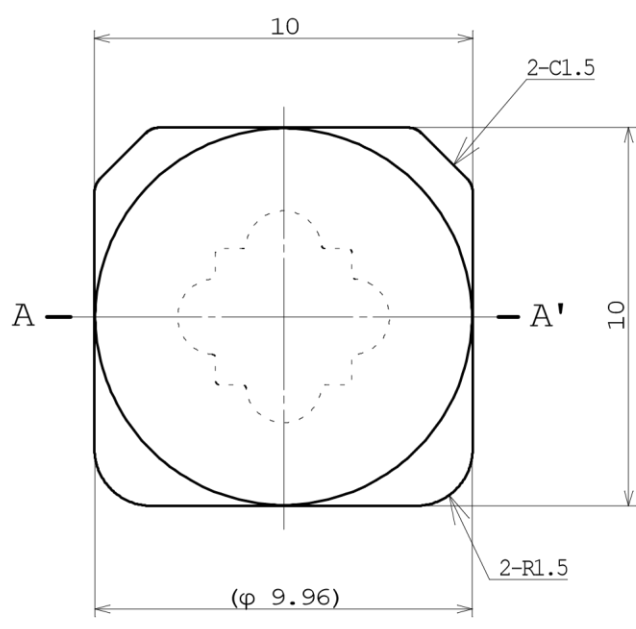
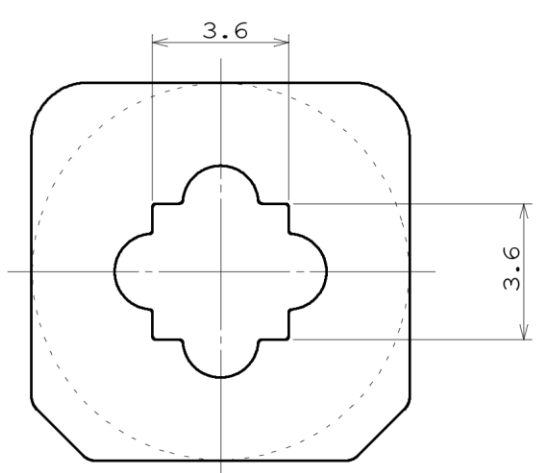


○ SPECIFICATIONS <仕様図>	SURFACE TREATMENT <表面処理>	SYM	DATE	REVISION	REVR	APPR
	HEAT TREATMENT <熱処理>	1*				
	FINISH <仕上げ>	2*				
REFERENCE <参考図>		3*				



A-A'断面
A-A' Section



NOTE)

・一般寸法公差：下記C公差を適用

General dimensional tolerance: Range C

TOLERANCE UNLESS SPECIFIED				ORIGINAL DATE 2021/07/07		MATERIAL (COMPOUND) Silicone rubber		TITLE DK-12M-233			
SCALE 5:1				UNIT mm		COLOR Clear		DRAWING NO. 21070706E			
SIZE A4				3RD ANGLE SYSTEM		HARDNESS A80		DESIGN T.Motoyanagi		DRAWN T.Motoyanagi	
ANGLE ±2°				ASAHIRUBBER INC. 株式会社朝日ラバー		CHECKED S.Endo		APPROVED E.Ishiguro			



◆ASA COLOR LENS

Part number : DK-12M-233 / DK-22M-233

Initial Properties

1. Physical Properties

Items	Materials : ASR-A80MC
Color	Transparent
Hardness JIS Type A	A80/S±5
Total light transmittance(t=2mm)	90% and more
Refractive index (25°C) (D-line 589 nm)	1.41±0.03

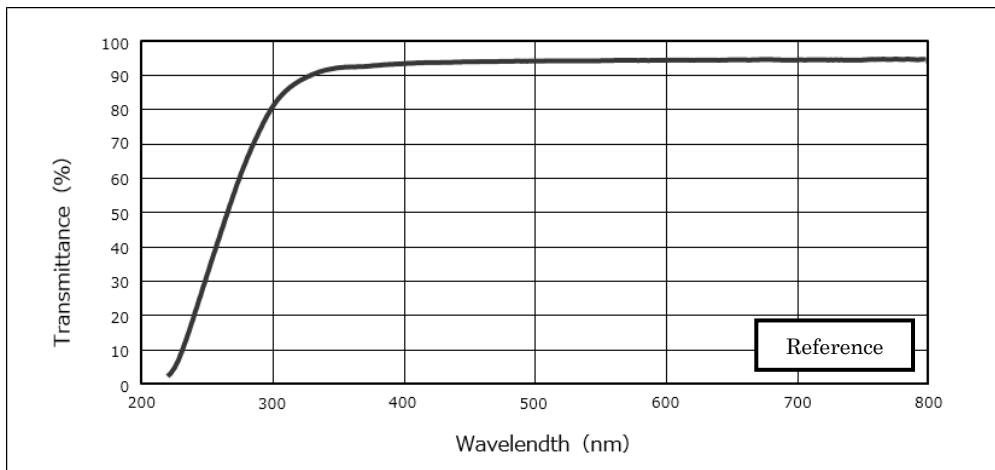


Figure1. Total light transmittance of ASR-A80MC (t=2mm)

2. Light Distribution Data

