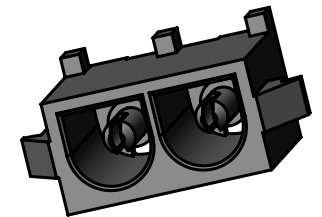
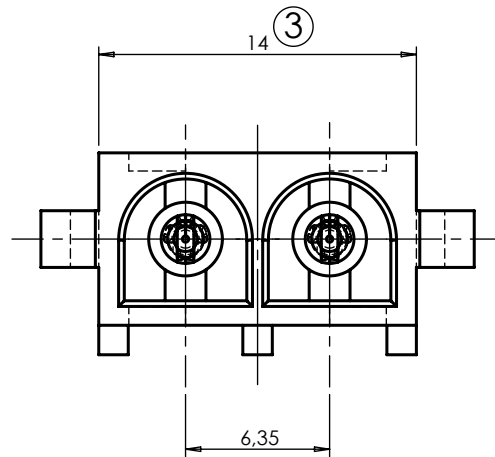
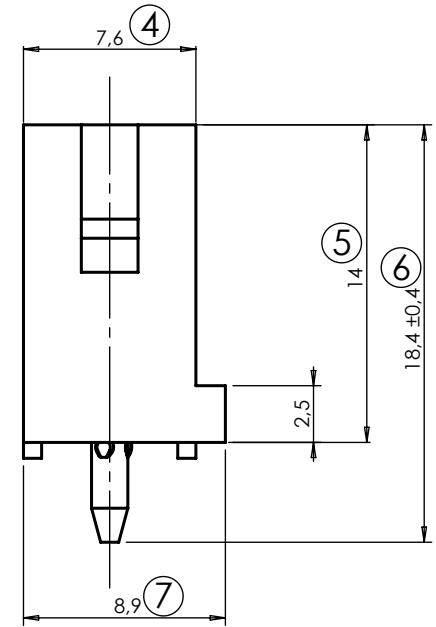
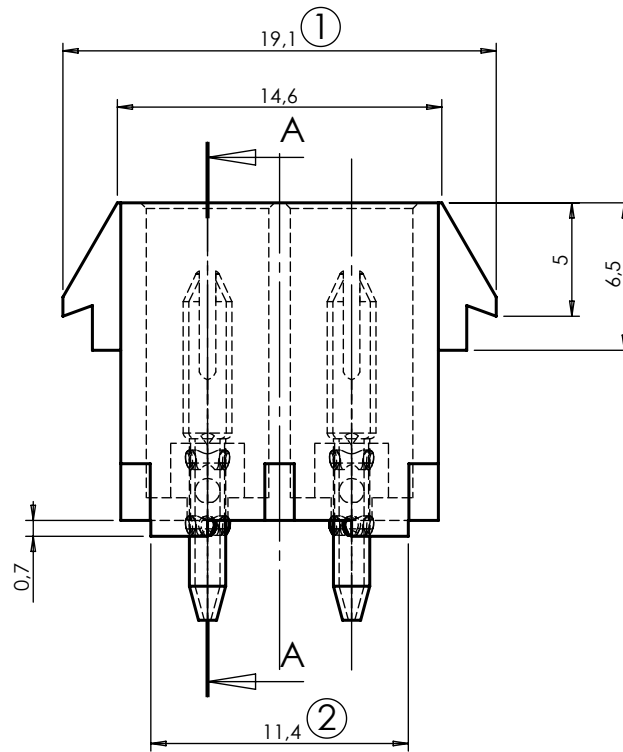
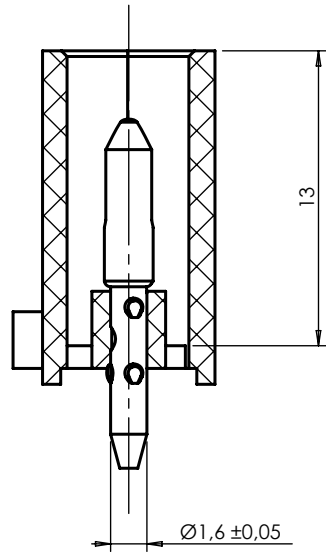
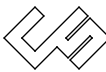


SEZIONE A-A  
SCALA 3 : 1



DIMENSIONS WITHOUT TOLERANCES			CS-LK02PCB/M31	PA66 UL94 V-2
A ±2°	0 - 6	±0.1	CS-LK02PCB/M31V0	PA6/66 UL94 V-0
	6 - 30	±0.2	CS-LK02PCB/M31STY	PA46 UL94 V-2
	> 30	±0.3	CS-LK02PCB/M31V0750NF	PA66 UL94 V-0 GWIT 775
			CS-LK02PCB/M31-G	PA6 UL94 V-2 GWIT 775
			PART NUMBER	MATERIAL

1	Aggiornato cartiglio		02-09-2011
INDEX	MODIFICATION		DATE
 <p>CS S.r.l. 20063 CERNUSCO S/N - VIA COMO, 11 TEL +39.02.9210.7404 - FAX +39.02.9210.0217 http://www.csconnectors.com - e-mail: info@csconnectors.com</p>			
CHECKED BY Stefano Galimberti		DATE 19-02-2016	DESIGN UNITS METRIC
DRAWN BY Luca Viscardi		DATE 19-02-2016	WEIGHT 1.04
CAD REFER Y:\dis\cs\lk\02vie\pcb\		SIZE A4	SCALE 3:1
		INDEX 0 07-03-2002	
BASE CODE CS-LK02PCB/M31	DESCRIPTION Giunto 2 vie per scheda circuito stampato con pin maschio serie LK		