



## Pin & Sleeve

Heavy duty  
Industrial Wiring Devices

**PDI**<sup>®</sup>  
Power Dynamics, Inc.

# Watertight and splashproof IEC

## > PIN AND SLEEVE DEVICES



## > VERSIONS

	Plugs and connectors
	Appliance inlets
	Receptacle
	Accessories Back Box and closure caps

## > TECHNICAL CHARACTERISTICS FOR BACK BOX

Protection degree (IEC 60529):	<b>IP66/IP67</b>
Operating temperature:	<b>-25°C +40°C</b>
Max. operating temperature:	<b>+70°C</b>
Self-extinguishing (IEC 60695-2-1):	<b>GW test 850°C</b>
Self-extinguishing (UL94):	<b>V2 (3,2mm)</b>
Material:	<b>Polyamide 6</b>
IK degree at 20°C (EN 50102):	<b>IK10 (20J)</b>

## > REFERENCE STANDARDS

### IEC 60309-1

Plugs, socket-outlets and couplers for industrial purposes.  
*Part 1: general requirements.*

### IEC 60309-2

Plugs, socket-outlets and couplers for industrial purposes  
*Part 2: dimensional interchangeability requirements for pin and contact-tube accessories of harmonised configurations.*

### UL 1682

Plugs, receptacles and cable connectors of the pin and sleeve type.

### UL 1686

Standard for pin and sleeve configuration.

## > QUALITY MARKS

UL LISTED:



UL CLASSIFIED:



For specific quality marks please contact our technical service.

## > TECHNICAL CHARACTERISTICS FOR PIN & SLEEVE

Rated current:	<b>16A - 32A - 63A - 125A (SERIES I)</b> <b>20A - 30A - 60A - 100A (SERIES II)</b>
Rated voltage:	<b>100÷690V~</b>
Frequency:	<b>D.C. - 50÷500Hz</b>
Insulating voltage:	<b>500/690V~</b>
Protection degree (IEC 60529):	<b>IP44 - IP67</b>
Operating temperature according to the reference standard:	<b>-25°C + 40°C</b>
Max. operating temperature:	<b>+70°C</b>
Self-extinguishing (IEC 60695-2-1):	<b>GW test 650°C / 850°C</b>
Self-extinguishing (UL94):	<b>V1 (3mm)</b>
Material:	<b>VALOX®</b>
IK degree at 20°C (EN 50102):	<b>IK10 (20J)</b>



## > BEHAVIOUR WITH CHEMICAL AND ATMOSPHERIC AGENTS

Saline solution	Acids		Bases		Solvents				Mineral oil	UV rays
	Concentrated	Diluted	Concentrated	Diluted	Hexane	Benzol	Acetone	Alcohol		
Resistant	Limited Resistance	Resistant	Limited Resistance	Resistant	Not Resistant	Not Resistant	Not Resistant	Limited Resistance	Resistant	Resistant

For specific substances please contact our technical service.

## > WIRING AND INSTALLATION

### Cross-section of connectable conductors (awg/mm<sup>2</sup>)

Rated current		Plugs, connectors and appliance inlets				Receptacle			
Series I	Series II	Min awg	mm <sup>2</sup>	Max awg	mm <sup>2</sup>	Min awg	mm <sup>2</sup>	Max awg	mm <sup>2</sup>
16A	20A	16	1	12	2,5	16	1,5	12	4
32A	30A	14	2,5	10	6	14	2,5	8	10
63A	60A	10	6	6	16	10	6	4	25
125A	100A	6	16	2	50	4	25	0	70

### Cord grip range

### (Plugs and connectors)

Rated current		Outside Ø mm			
Series I	Series II	Min awg	mm <sup>2</sup>	Max awg	mm <sup>2</sup>
16A	20A	,570	14	,710	18
32A	30A	,675	17	,910	23
63A	60A	,937	24	1,375	35
125A	100A	1,265	32	1,790	45

## > APPLICATION EXAMPLES



## > PERFORMANCE - ELECTRICAL (SERIES I)

Dielectric Voltage Withstand:	<b>3000 Volts for 1 minute per IEC 60309-1, Clause 19</b>
Maximum Working Voltage:	<b>690VAC/250 VDC (minimum creepage and clearances per IEC)</b>
Current Interrupting/ Load Breaking:	<b>Tested to 125% rated current at 110% rated voltage per IEC309-1 clause 20</b>
Temperature Rise:	<b>Maximum 50°C rise at rated current per IEC309-1 Clause 22, Table 8</b>
Endurance with Load:	<b>16 Amp: 5000 cycles; Load only</b>
Per IEC 60309-1 Clause 21:	<b>32 Amp: 1000 cycles - Alternating load 63 Amp: 1000 cycles - Alternating load 125 Amp: 250 cycles - Alternating load</b>

## > PERFORMANCE - ELECTRICAL (SERIES II)

Dielectric Voltage Withstand:	<b>3000 Volts for 1 minute (fixed devices) 2200 Volts for 1 minute (portable devices)</b>
Maximum Working Voltage:	<b>600VAC/250 VDC (minimum creepage and clearances per UL 840)</b>
Current Interrupting/ Load Breaking:	<b>Tested to 150% of full rated current for circuit interrupting</b>
Temperature Rise:	<b>Maximum 30°C rise at full rated current after 50 cycles overload at 150% rated load at 0.75-pf</b>
Horsepower Ratings:	<b>Per Nec 430-151b reference for non-interrupting ratings</b>
Endurance with Load:	<b>20 Amp: 5000 cycles; Load only</b>
Per IEC 60309-1 Clause 21:	<b>30 Amp: 1000 cycles - Alternating load 60 Amp: 1000 cycles - Alternating load 100 Amp: 250 cycles - Alternating load</b>

## > MATERIALS FOR PIN & SLEEVE (SERIES I & II)

Housing:	<b>Valox®</b>
Contact Carriers:	<b>Valox®</b>
Cable Gland Nut:	<b>Valox®</b>
Cable Bushing:	<b>Solid neoprene, onion ring type</b>
O-Ring, Seals & Gaskets:	<b>Solid neoprene</b>
Pins & Sleeves:	<b>Nickel plated brass</b>
Sleeve Force Ring:	<b>Zinc plated steel</b>
Terminal Screws:	<b>Nickel plated steel</b>
Flap/Screw Cover Springs:	<b>Stainless steel</b>
SNAP-ON Spring:	<b>Stainless steel</b>
Mounting Flanges:	<b>Valox®</b>

## > PERFORMANCE - MECHANICAL (SERIES I)

Cold (-25°C) Impact Resistance:	<b>Per IEC 60309-1 Clause 24; (-25°C) with 75cm drop</b>
Cable O.D. Accommodation:	<b>Round portable service cords from 14.5mm O.D. through 50mm O.D.</b>
Terminal Identification:	<b>In accordance with IEC 60309-1 standards; as L1-L2-L3-N-G</b>
Cable Pull-Out Force:	<b>In accordance with IEC 60309-1, Clause 23</b>

## > PERFORMANCE - MECHANICAL (SERIES II)

Cold (-25°C) Impact Resistance:	<b>Per UL 1682 Section 34 and IEC 60309-1 Clause 24</b>
Cable O.D. Accommodation:	<b>Round portable service cord from 0.57" O.D. through 1.79" O.D.</b>
Terminal Identification:	<b>In accordance with UL 1682 standards and IEC 60390-1: as L1-L2-L3-N-G</b>
Cable Pull-Out Force:	<b>Per UL 1682 Section 33 and IEC 60309-1 Clause 23</b>

## > PERFORMANCE - ENVIRONMENTAL (SERIES I & II)

Corrosion Resistance:	<b>All metallic components stainless steel or nickel plated brass Sleeve pressure rings of zinc plated steel</b>
-----------------------	--

## > MATERIALS FOR BACK BOX (SERIES I & II)

Housing:	<b>Polyamide 6</b>
Gasket:	<b>Solid neoprene</b>
Screws:	<b>Stainless steel</b>
Grounding plate:	<b>2 inch plated steel</b>

### Standard Interface / World Ready

#### Full International Compliances

EN 60309

**UL Classification to IEC 60309-1 and IEC 60309-2.**

**cULus Listing: UL 1682/1686 and CSA C22.2**

**No. 182.1.**

CE conforms to EC Low Voltage Directive.

North American and Global Voltage

Polarization "clock positions" available in all standard ratings.

#### Solid, Safe Voltage Selections

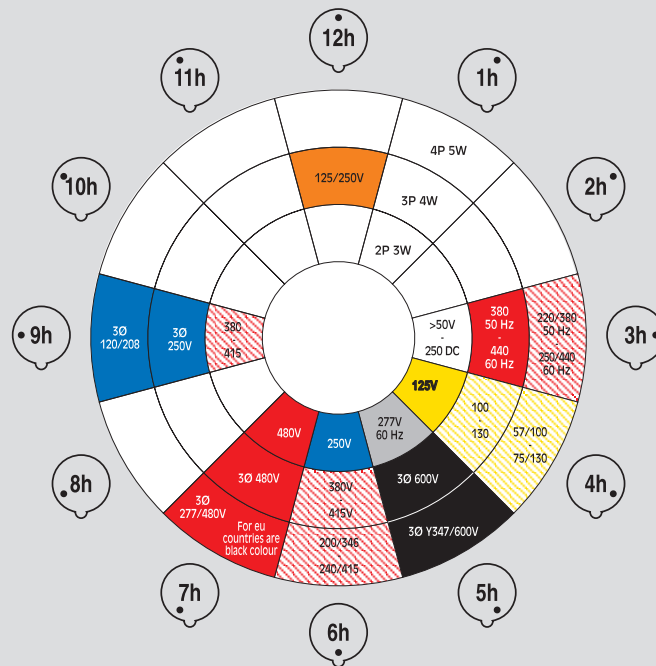
One-Piece contact carriers with Full-Color IEC

standard voltage-phasing Coding ensures

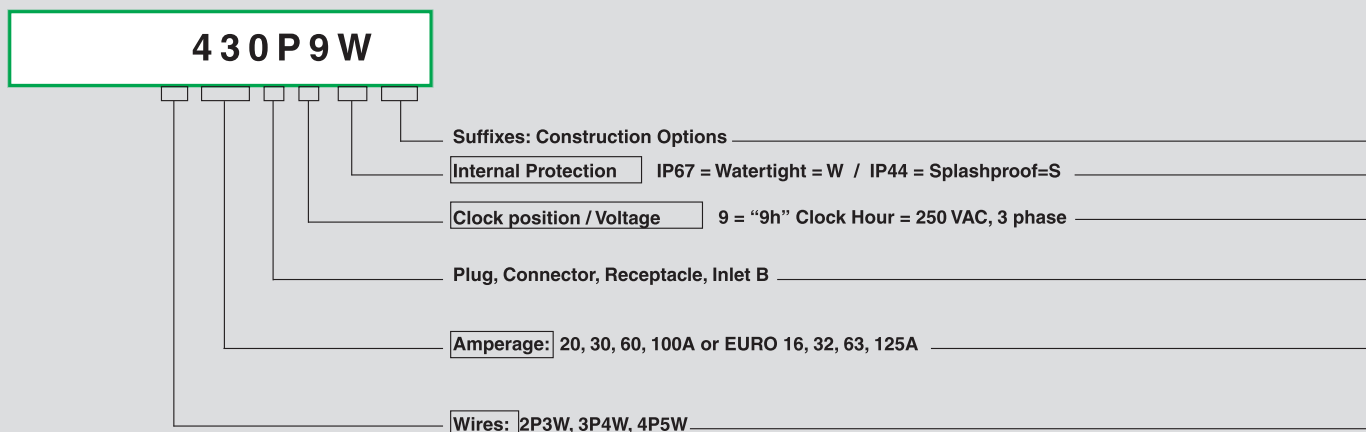
correct product application every time.

## > CLOCK POSITION - NORTH AMERICAN RATINGS

RATED VOLTAGE	COLOUR	USAGE (NORTH AMERICAN)
110-130V	Yellow	North American
208-250V	Blue	North American
380-415V	Red	Europe
600V +	Black	North American and Europe (500V)
277/480V	Red	North American
277V	Grey	North American
125/250V	Orange	North American
250/440V	Red	Latin America
220/440V	Red with diagonal lines	Europe
57/130V	Yellow with diagonal lines	Europe



## > CATALOG NUMBERING SYSTEM



## > WATERTIGHT - IP67



Watertight design and construction meet stringent IP67 internal protection standards.

Rugged thermoplastic housings resist impact or abuse and provide excellent corrosion resistance.

**Unique cable strain relief grip and sealing system assure superior cable retention and watertight conductor termination.** Ideal for outdoor, wet marine and washdown applications. Unique 75% faster assembly with Snap-on handle locking, and cable grip system.

## > SPLASHPROOF - IP44



Suitable for indoor use where splashing liquids and other contaminants may interfere with electrical connections. Ideal for most heavy commercial applications and light industrial applications.

Available 16A, 20A, 30A and 32A Amp ratings.



### **No Tools, No Screws Necessary**

Snap-on locking handle saves 75% on assembly time.

Unique Snap-on assembly feature on 16A, 20A, 30A and 32A Amp plugs and connectors makes installation and inspection fast and reliable.

Captive gaskets in handles seal out water, chemicals and dust.



### **Easy Action Single-Wiring Point Access Saves Time Wiring**

All terminal screws face in same direction allowing installer to make safe and secure conductor terminations in 30% less time than other devices. Rugged, corrosion free thermoplastic housings are colour-coded for safe reliable connections to all other mating type /polarizations, with raised earth terminal standard.

### **Simple Cable Clamping**

Threaded cable gland on 16/32A and 20/30A devices makes assembly fast and easy.

One-piece lock screw verifies clamp locking hold, with no external metal contact possible (16/32A and 20/30A devices).



### **Unique and Quick**

One-piece cable gland with locking screw loads to cable followed by cable grip 6-Finger cable clamp/grip piece. Watertight onion ring bushing fits a wide variety of outside diameters.



### **Watertight and cable Grip Safety**

Grip cable flexible 6-Finger clamp teeth holds well beyond all agency test pull-out forces.

No internal clamps required. Available in all amperages.



### **The Performance Connection**

Watertight spring-loaded covers with high-strength flex-hinge screw covers on IP67 devices.

Flap covers on IP44 splashproof styles. Safety, performance and durability for all EN 60309 applications worldwide.

## > WATERTIGHT - IP67

### Safe Connections Standard

- Heart contacts make first, break last for safe connections even under load



### The Easy Way

- Snap-on locking feature on all 16/32A and 20/30A plugs and connectors

### Screw Collars Stay Put

- Turreted grip allows for easy handling

### 75% Faster Cable builds

- Nylon lock screw System
- One-piece cable gland
- Nylon locking screw prevents loosening
- Hand assembly of cable gland, cable grip
- 6 Finger clamp and onion-ring bushing



### Combination Flap/Screw Cover

- Integral neoprene gasket for IP67 (Watertight protection)
- Unique flex hinge design

### Solid Neoprene Gasket In Handle

### Neoprene Cable Bushing

- Onion ring design
- Universal fit capability

### Cable grip 6-Finger Clamp

- Provides superior cable retention

### Secure Grip Handle

- Tapered shoulder (16/32A and 20/30A)
- Ribbed (60/100A and 63/125A)

### Fast and Easy Wiring

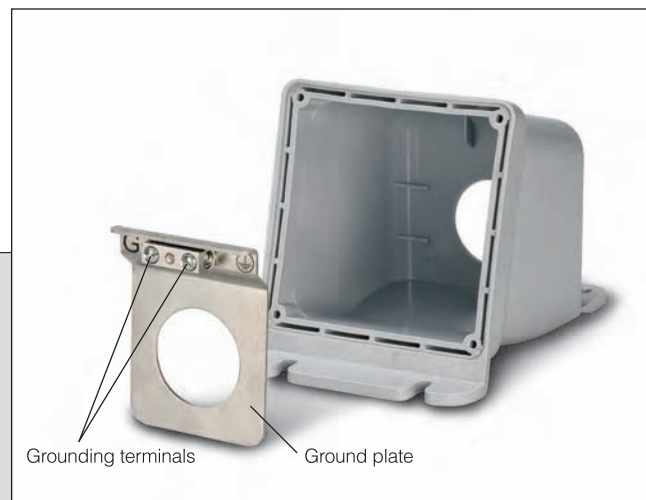
- Unique, one-way terminal access
- Clearly marked terminal connections

### Double Secure Wiring

- Dual, combination point terminal screw for failsafe connections

### Safe Connections Standard

- Earth contacts make first, break last for safe connections even under load



Grounding terminals

Ground plate



# Industrial plugs and sockets >50V

## > WATERTIGHT AND SPLASHPROOF PIN AND SLEEVE DEVICES IP67 AND IP44 - 20A

UL LISTED



UL CLASSIFIED



### 20A - WATERTIGHT - IP67

Poles & Wires	Configuration			Voltage/ Colour Coding	Plug	Connector	Cable O.D. Range Inches	Receptacle	Inlet
	Receptacle/ Connector	Plug/ Inlet	Clock position						
2P 3W			4h	125	320P4W	320C4W	.57-.71	320R4W	320B4W
2P 3W			6h	250	320P6W	320C6W	.57-.71	320R6W	320B6W
2P 3W			5h	277	320P5W	320C5W	.57-.71	320R5W	320B5W
2P 3W			7h	480	320P7W	320C7W	.57-.71	320R7W	320B7W
3P 4W			12h	125/250	420P12W	420C12W	.57-.71	420R12W	420B12W
3P 4W			9h	3Ø250	420P9W	420C9W	.57-.71	420R9W	420B9W
3P 4W			7h	3Ø480	420P7W	420C7W	.57-.71	420R7W	420B7W
3P 4W			5h	3Ø600	420P5W	420C5W	.57-.71	420R5W	420B5W
4P 5W			9h	3ØY120/208	520P9W	520C9W	.57-.71	520R9W	520B9W
4P 5W			7h	3ØY277/480	520P7W	520C7W	.57-.71	520R7W	520B7W
4P 5W			5h	3ØY347/600	520P5W	520C5W	.57-.71	520R5W	520B5W

### 20A - SPLASHPROOF - IP44

2P 3W			4h	125	320P4S	320C4S	.57-.71	320R4S	320B4S
2P 3W			6h	250	320P6S	320C6S	.57-.71	320R6S	320B6S
2P 3W			5h	277	320P5S	320C5S	.57-.71	320R5S	320B5S
3P 4W			12h	125/250	420P12S	420C12S	.57-.71	420R12S	420B12S
3P 4W			9h	3ph.250	420P9S	420C9S	.57-.71	420R9S	420B9S
4P 5W*			9h	3ph.120/208	520P9S	520C9S	.57-.71	520R9S	520B9S

Contact us for our complete line of internationally rated IEC60309 plugs and receptacles.



## > WATERTIGHT AND SPLASHPROOF PIN AND SLEEVE DEVICES IP67 AND IP44 - 30A

UL LISTED



UL CLASSIFIED



### 30A - WATERTIGHT - IP67

Poles & Wires	Configuration			Voltage/ Colour Coding	Plug	Connector	Cable O.D. Range Inches	Receptacle	Inlet
	Receptacle/ Connector	Plug/ Inlet	Clock position						
2P 3W			4h	125	330P4W	330C4W	.675-.91	330R4W	330B4W
2P 3W			6h	250	330P6W	330C6W	.675-.91	330R6W	330B6W
2P 3W			7h	480	330P7W	330C7W	.675-.91	330R7W	330B7W
3P 4W			12h	125/250	430P12W	430C12W	.675-.91	430R12W	430B12W
3P 4W			9h	3Ø250	430P9W	430C9W	.675-.91	430R9W	430B9W
3P 4W			7h	3Ø480	430P7W	430C7W	.675-.91	430R7W	430B7W
3P 4W			5h	3Ø600	430P5W	430C5W	.675-.91	430R5W	430B5W
4P 5W			9h	3ØY120/208	530P9W	530C9W	.675-.91	530R9W	530B9W
4P 5W			7h	3ØY277/480	530P7W	530C7W	.675-.91	530R7W	530B7W
4P 5W			5h	3ØY347/600	530P5W	530C5W	.675-.91	530R5W	530B5W

### 30A - SPLASHPROOF - IP44

2P 3W			4h	125	330P4S	330C4S	.675-.91	330R4S	330B4S
2P 3W			6h	250	330P6S	330C6S	.675-.91	330R6S	330B6S
2P 3W			5h	277	330P5S	330C5S	.675-.91	330R5S	330B5S
3P 4W			12h	125/250	430P12S	430C12S	.675-.91	430R12S	430B12S
3P 4W			9h	3ph.250	430P9S	430C9S	.675-.91	430R9S	430B9S
4P 5W			9h	3ph.120/208	530P9S	530C9S	.675-.91	530R9S	530B9S

Contact us for our complete line of internationally rated IEC60309 plugs and receptacles.

# Industrial plugs and sockets >50V

## > WATERTIGHT AND SPLASHPROOF PIN AND SLEEVE DEVICES IP67 - 60A

UL LISTED



UL CLASSIFIED



### 60A - WATERTIGHT - IP67

Poles & Wires	Configuration			Voltage/ Colour Coding	Plug	Connector	Cable O.D. Range Inches	Receptacle	Inlet
	Receptacle/ Connector	Plug/ Inlet	Clock position						
2P 3W			4h	125	360P4W	360C4W	.937-1.375	360R4W	360B4W
2P 3W			6h	250	360P6W	360C6W	.937-1.375	360R6W	360B6W
2P 3W			5h	277	360P5W	360C5W	.937-1.375	360R5W	360B5W
2P 3W			7h	480	360P7W	360C7W	.937-1.375	360R7W	360B7W
2P 3W			3h	250DC	360P3W	360C3W	.937-1.375	360R3W	360B3W
3P 4W			12h	125/250	460P12W	460C12W	.937-1.375	460R12W	460B12W
3P 4W			9h	3Ø250	460P9W	460C9W	.937-1.375	460R9W	460B9W
3P 4W			7h	3Ø480	460P7W	460C7W	.937-1.375	460R7W	460B7W
3P 4W			5h	3Ø600	460P5W	460C5W	.937-1.375	460R5W	460B5W
4P 5W			9h	3ØY120/208	560P9W	560C9W	.937-1.375	560R9W	560B9W
4P 5W			7h	3ØY277/480	560P7W	560C7W	.937-1.375	560R7W	560B7W
4P 5W			5h	3ØY347/600	560P5W	560C5W	.937-1.375	560R5W	560B5W

Contact us for our complete line of internationally rated IEC60309 plugs and receptacles.

## > WATERTIGHT AND SPLASHPROOF PIN AND SLEEVE DEVICES IP67 - 100A

UL LISTED



UL CLASSIFIED



### 100A - WATERTIGHT - IP67

Poles & Wires	Configuration			Voltage/ Colour Coding	Plug	Connector	Cable O.D. Range Inches	Receptacle	Inlet
	Receptacle/ Connector	Plug/ Inlet	Clock position						
2P 3W			6h	250	3100P6W	*	1.2650-1.790	*	*
2P 3W			7h	480	*	*	1.2650-1.790	*	*
3P 4W			12h	125/250	4100P12W	4100C12W	1.2650-1.790	4100R12W	4100B12W
3P 4W			9h	3Ø250	4100P9W	4100C9W	1.2650-1.790	4100R9W	4100B9W
3P 4W			7h	3Ø480	4100P7W	4100C7W	1.2650-1.790	4100R7W	4100B7W
3P 4W			5h	3Ø600	4100P5W	4100C5W	1.2650-1.790	4100R5W	4100B5W
4P 5W			9h	3ØY120/208	5100P9W	5100C9W	1.2650-1.790	5100R9W	5100B9W
4P 5W			7h	3ØY277/480	5100P7W	5100C7W	1.2650-1.790	5100R7W	5100B7W
4P 5W			5h	3ØY347/600	5100P5W	5100C5W	1.2650-1.790	5100R5W	5100B5W

Contact us for our complete line of internationally rated IEC60309 plugs and receptacles.

# Industrial plugs and sockets >50V

## > INTERNATIONAL RATINGS

### UL CLASSIFIED



#### 16A IP67

Poles & Wires	Configuration			Voltage/ Colour Coding	Plug	Connector	Cable O.D. Range Inches	Receptacle	Inlet
	Receptacle/ Connector	Plug/ Inlet	Clock position						
2P 3W			4h	110V	316P4W	316C4W	.57-.71	316R4W	316B4W
2P 3W			6h	250V	316P6W	316C6W	.57-.71	316R6W	316B6W
3P 4W			6h	380-415V	416P6W	416C6W	.57-.71	416R6W	416B6W
4P 5W			6h	220-240/ 380-415V	516P6W	516C6W	.57-.71	516R6W	516B6W

#### 32A IP67

2P 3W			4h	110V	332P4W	332C4W	.675-.91	332R4W	332B4W
2P 3W			6h	250V	332P6W	332C6W	.675-.91	332R6W	332B6W
3P 4W			6h	380-415V	432P6W	432C6W	.675-.91	432R6W	432B6W
4P 5W			6h	220-240/ 380-415V	532P6W	532C6W	.675-.91	532R6W	532B6W

#### 16A IP44

2P 3W			4h	110V	316P4S	316C4S	.57-.71	316R4S	316B4S
2P 3W			6h	250V	316P6S	316C6S	.57-.71	316R6S	316B6S
3P 4W			6h	380-415V	416P6S	416C6S	.57-.71	416R6S	416B6S
4P 5W			6h	220-240/ 380-415V	516P6S	516C6S	.57-.71	516R6S	516B6S

#### 32A IP44

2P 3W			4h	110V	332P4S	332C4S	.675-.91	332R4S	332B4S
2P 3W			6h	250V	332P6S	332C6S	.675-.91	332R6S	332B6S
3P 4W			6h	380-415V	432P6S	432C6S	.675-.91	432R6S	432B6S
3P 4W			3h	380-440V	Special Application - Contact Tech Support				
4P 5W			6h	220-240/ 380-415V	532P6S	532C6S	.675-.91	532R6S	532B6S

Contact us for our complete line of internationally rated IEC60309 plugs and receptacles.



## > INTERNATIONAL RATINGS

UL CLASSIFIED



63A IP67

Poles & Wires	Configuration			Voltage/ Colour Coding	Plug	Connector	Cable O.D. Range Inches	Receptacle	Inlet
	Receptacle/ Connector	Plug/ Inlet	Clock position						
2P 3W			6h	250V	363P6W	363C6W	.937-1.375	363R6W	363B6W
3P 4W			6h	380-415V	463P6W	463C6W	.937-1.375	463R6W	463B6W
4P 5W			6h	220-240/ 380-415V	563P6W	563C6W	.937-1.375	563R6W	563B6W

125A IP67

2P 3W			6h	250V	3125P6W	3125C6W	1.265-1.790	3125R6W	3125B6W
3P 4W			6h	380-415V	4125P6W	4125C6W	1.265-1.790	4125R6W	4125B6W
4P 5W			6h	220-240/ 380-415V	5125P6W	5125C6W	1.265-1.790	5125R6W	5125B6W

Contact us for our complete line of internationally rated IEC60309 plugs and receptacles.

## > BACK BOX



Description	HUB size (Inch)	Receptacle	Inlets	Cubic Inch capacity	Packaging	
Size 1 (small)	1	16/20A - 32/30A	-	30	1/10	<b>BB01</b>
Size 2 (medium)	1 ¼	63/60A	16/20A - 32/30A - 63/60A	75	1/10	<b>BB02</b>
Size 3 (large)	1 ½	125/100A	125/100A	120	1/5	<b>BB03</b>

Notes:

- Internal grounding plate provided
- HUB is not included

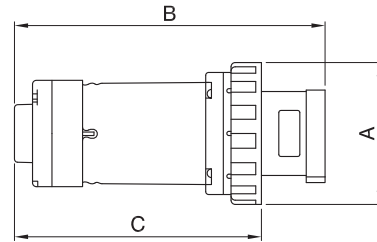
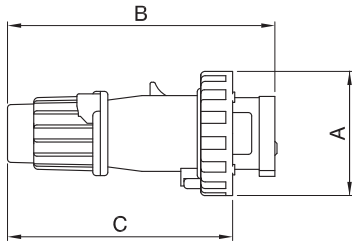
## > CLOSURE CAPS



Description	Packaging	
16/20A - 2P+E	10/100	<b>570.90163</b>
16/20A - 3P+E	10/100	<b>570.90164</b>
16/20A - 3P+N+E	10/100	<b>570.90165</b>
32/30A - 2P+E & 3P+E	10/100	<b>570.90324</b>
32/30A - 3P+N+E	10/100	<b>570.90325</b>
63/60A - all polarity	1/10	<b>570.9063</b>
125/100A - all polarity	1/10	<b>570.9125</b>

**Contact us for our complete line of internationally rated IEC60309 plugs and receptacles.**

## > DIMENSIONS

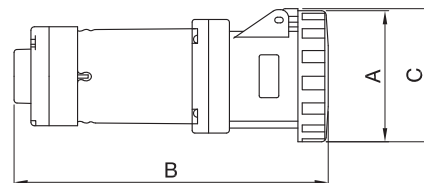
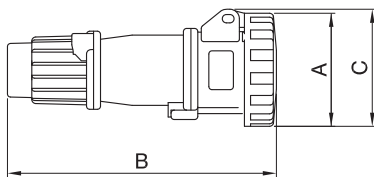


### PLUG IP67 16/20A AND 30/32A

	A		B		C		Corp grip range	
	inches	mm	inches	mm	inches	mm	inches	mm
16/20A 2P3W	2,87	73	6,20	157	5,23	133	.570-.710	14-18
16/20A 3P4W	3,17	81	6,47	164	5,51	140	.570-.710	14-18
16/20A 4P5W	3,48	88	7,02	178	6,06	154	.570-.710	14-18
30/32A 2P3W	3,66	93	7,37	187	6,13	156	.675-.910	17-23
30/32A 3P4W	3,66	93	7,37	187	6,13	156	.675-.910	17-23
30/32A 4P5W	3,96	101	8,15	207	6,91	176	.675-.910	17-23

### PLUG IP67 60/63A AND 100/125A

	A		B		C		Corp grip range	
	inches	mm	inches	mm	inches	mm	inches	mm
60/63A 2P3W	4,41	112	9,68	246	7,67	195	.937-1,375	24-35
60/63A 3P4W	4,41	112	9,68	246	7,67	195	.937-1,375	24-35
60/63A 4P5W	4,41	112	9,68	246	7,67	195	.937-1,375	24-35
100/125A 3P4W	5,06	129	12,16	309	9,83	250	1,265-1,790	32-45
100/125A 4P5W	5,06	129	12,16	309	9,83	250	1,265-1,790	32-45



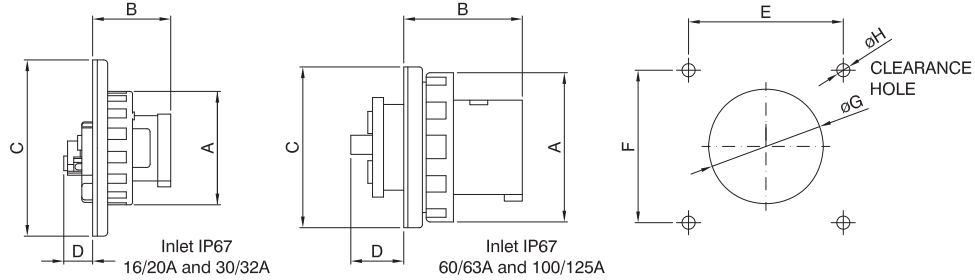
### CONNECTOR IP67 16/20A AND 30/32A

	A		B		C		Corp grip range	
	inches	mm	inches	mm	inches	mm	inches	mm
16/20A 2P3W	2,87	73	6,75	171	2,97	75	.570-.710	14-18
16/20A 3P4W	3,17	81	7,04	179	3,28	83	.570-.710	14-18
16/20A 4P5W	3,48	88	7,62	194	3,75	95	.570-.710	14-18
30/32A 2P3W	3,66	93	8,04	204	4,04	103	.675-.910	17-23
30/32A 3P4W	3,66	93	8,04	204	4,04	103	.675-.910	17-23
30/32A 4P5W	3,96	101	8,83	224	4,03	102	.675-.910	17-23

### CONNECTOR IP67 60/63A AND 100/125A

	A		B		C		Corp grip range	
	inches	mm	inches	mm	inches	mm	inches	mm
60/63A 2P3W	4,41	112	10,52	267	4,47	114	.937-1,375	24-35
60/63A 3P4W	4,41	112	10,52	267	4,47	114	.937-1,375	24-35
60/63A 4P5W	4,41	112	10,52	267	4,47	114	.937-1,375	24-35
100/125A 3P4W	5,06	129	12,80	325	5,06	129	1,265-1,790	32-45
100/125A 4P5W	5,06	129	12,80	325	5,06	129	1,265-1,790	32-45

> DIMENSIONS

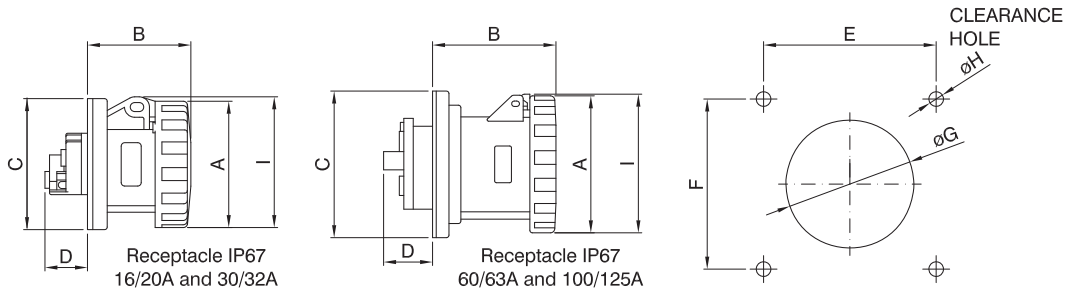


**INLET IP67 16/20A AND 30/32A**

	A		B		C		D		E		F		G		H	
	inches	mm	inches	mm	inches	mm	inches	mm	inches	mm	inches	mm	inches	mm	inches	mm
16/20A 2P3W	2,87	73	1,96	50	4,50	114	,75	19	3,87	98	3,87	98	2,38	60	,282	7,2
16/20A 3P4W	3,17	81	1,96	50	4,50	114	,75	19	3,87	98	3,87	98	2,38	60	,282	7,2
16/20A 4P5W	3,48	88	1,96	50	4,50	114	,75	19	3,87	98	3,87	98	2,38	60	,282	7,2
30/32A 2P3W	3,66	93	2,32	59	4,50	114	1,32	34	3,87	98	3,87	98	2,38	60	,282	7,2
30/32A 3P4W	3,66	93	2,32	59	4,50	114	1,32	34	3,87	98	3,87	98	2,38	60	,282	7,2
30/32A 4P5W	3,96	101	2,32	59	4,50	114	1,32	34	3,87	98	3,87	98	2,38	60	,282	7,2

**INLET IP67 60/63A AND 100/125A**

	A		B		C		D		E		F		G		H	
	inches	mm	inches	mm	inches	mm	inches	mm	inches	mm	inches	mm	inches	mm	inches	mm
60/63A 2P3W	4,41	112	3,44	87	4,50	114	1,68	43	3,87	98	3,87	98	3,25	83	,282	7,2
60/63A 3P4W	4,41	112	3,44	87	4,50	114	1,68	43	3,87	98	3,87	98	3,25	83	,282	7,2
60/63A 4P5W	4,41	112	3,44	87	4,50	114	1,68	43	3,87	98	3,87	98	3,25	83	,282	7,2
100/125A 3P4W	5,06	129	3,88	99	5,50	140	1,94	49	4,87	124	4,87	124	3,75	95	,282	7,2
100/125A 4P5W	5,06	129	3,88	99	5,50	140	1,94	49	4,87	124	4,87	124	3,75	95	,282	7,2



**RECEPTACLE IP67 16/20A AND 30/32A**

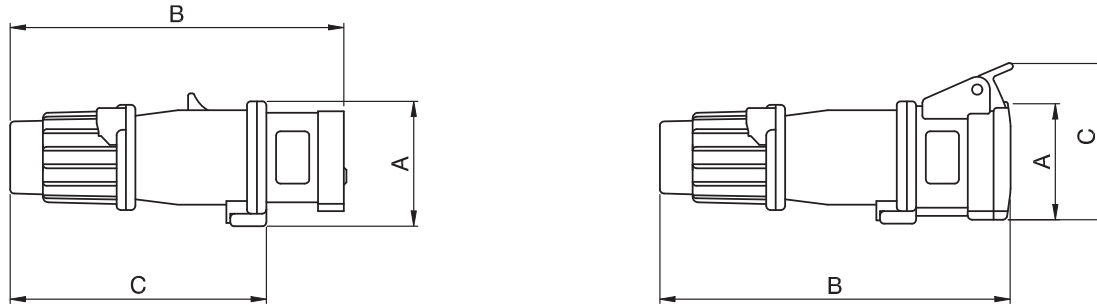
	A		B		C		D		E		F		G		H		I	
	inches	mm	inches	mm	inches	mm	inches	mm	inches	mm	inches	mm	inches	mm	inches	mm	inches	mm
16/20A 2P3W	2,87	73	2,32	59	2,97	,76	,94	24	2,36	60	2,36	60	2,38	60	,219	5,5	2,97	75
16/20A 3P4W	3,17	81	2,34	60	2,97	,76	,94	24	2,36	60	2,36	60	2,38	60	,219	5,5	3,28	83
16/20A 4P5W	3,48	88	2,37	60	2,97	,76	,94	24	2,36	60	2,36	60	2,38	60	,219	5,5	3,75	95
30/32A 2P3W	3,66	93	2,79	71	2,97	,76	1,52	39	2,36	60	2,36	60	2,38	60	,219	5,5	4,04	103
30/32A 3P4W	3,66	93	2,79	71	2,97	,76	1,52	39	2,36	60	2,36	60	2,38	60	,219	5,5	4,04	103
30/32A 4P5W	3,96	101	2,81	71	2,97	,76	1,52	39	2,36	60	2,36	60	2,38	60	,219	5,5	4,03	102

**RECEPTACLE IP67 60/63A AND 100/125A**

	A		B		C		D		E		F		G		H		I	
	inches	mm	inches	mm	inches	mm	inches	mm	inches	mm	inches	mm	inches	mm	inches	mm	inches	mm
60/63A 2P3W	4,41	112	4,16	106	4,50	114	1,68	43	3,87	98	3,87	98	3,25	83	,282	7,2	4,47	114
60/63A 3P4W	4,41	112	4,16	106	4,50	114	1,68	43	3,87	98	3,87	98	3,25	83	,282	7,2	4,47	114
60/63A 4P5W	4,41	112	4,16	106	4,50	114	1,68	43	3,87	98	3,87	98	3,25	83	,282	7,2	4,47	114
100/125A 3P4W	5,06	129	4,52	115	5,50	140	1,94	49	4,87	124	4,87	124	3,75	95	,282	7,2	5,06	129
100/125A 4P5W	5,06	129	4,52	115	5,50	140	1,94	49	4,87	124	4,87	124	3,75	95	,282	7,2	5,06	129



> DIMENSIONS

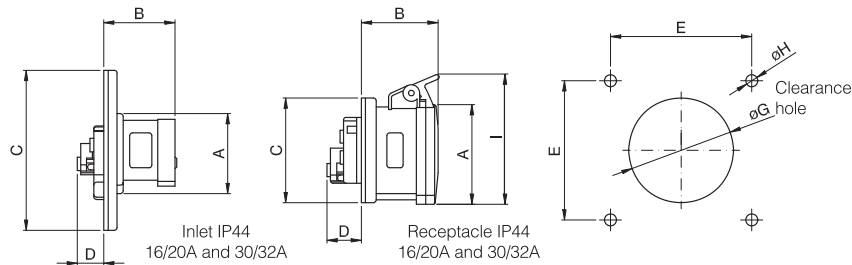


**PLUG IP44**

	A		B		C		Corp Grip Range	
	inches	mm	inches	mm	inches	mm	inches	mm
<b>16/20A 2P3W</b>	2,26	58	6,20	157	4,76	121	,570-710	14-18
<b>16/20A 3P4W</b>	2,52	64	6,47	164	5,04	128	,570-710	14-18
<b>16/20A 4P5W</b>	2,85	73	7,02	178	5,58	142	,570-710	14-18
<b>30/32A 2P3W</b>	2,85	73	7,37	187	5,58	142	,675-910	17-23
<b>30/32A 3P4W</b>	2,85	73	7,37	187	5,58	142	,675-910	17-23
<b>30/32A 4P5W</b>	3,13	80	8,15	207	6,36	162	,675-910	17-23

**PLUG IP44**

	A		B		C		Corp Grip Range	
	inches	mm	inches	mm	inches	mm	inches	mm
<b>16/20A 2P3W</b>	2,18	55	6,53	166	3,07	73	,570-710	14-18
<b>16/20A 3P4W</b>	2,43	62	6,83	173	3,33	80	,570-710	14-18
<b>16/20A 4P5W</b>	2,81	71	7,41	188	3,79	91	,570-710	14-18
<b>30/32A 2P3W</b>	2,81	71	7,81	198	3,79	91	,675-910	17-23
<b>30/32A 3P4W</b>	2,81	71	7,81	188	3,79	91	,675-910	17-23
<b>30/32A 4P5W</b>	3,09	79	8,62	219	4,17	101	,675-910	17-23



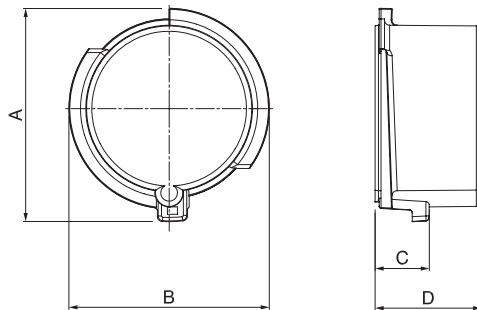
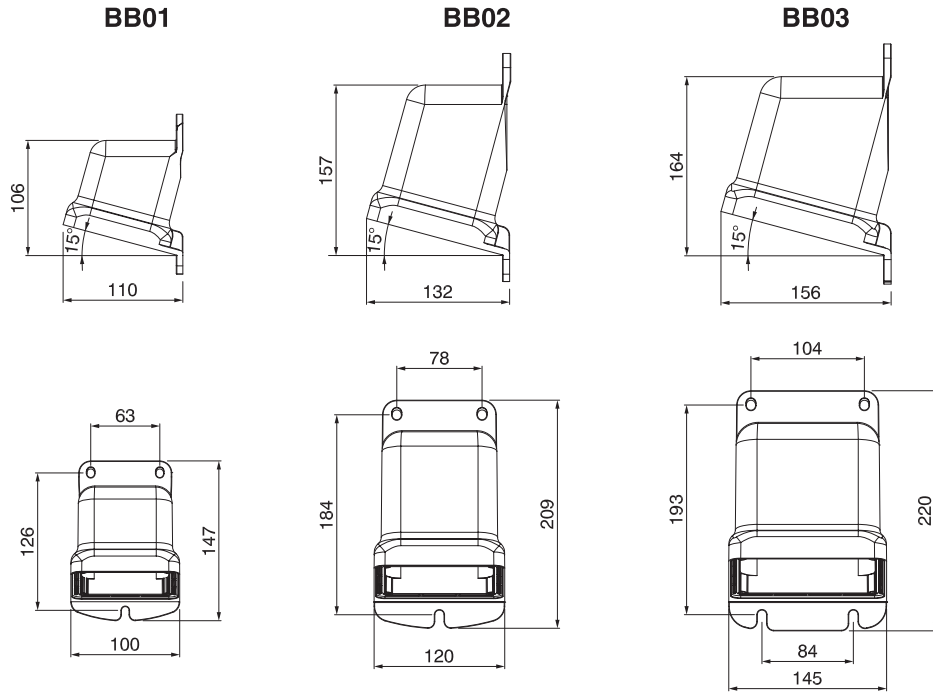
**INLET IP44**

	A		B		C		D		E		F		G		H	
	inches	mm	inches	mm	inches	mm	inches	mm	inches	mm	inches	mm	inches	mm	inches	mm
<b>16/20A 2P3W</b>	2,26	58	1,96	50	4,50	114	,75	19	3,87	98	3,87	98	2,38	60	,282	7,2
<b>16/20A 3P4W</b>	2,52	64	1,96	50	4,50	114	,75	19	3,87	98	3,87	98	2,38	60	,282	7,2
<b>16/20A 4P5W</b>	2,85	73	1,96	50	4,50	114	,75	19	3,87	98	3,87	98	2,38	60	,282	7,2
<b>30/32A 2P3W</b>	2,85	73	2,32	59	4,50	114	1,32	34	3,87	98	3,87	98	2,38	60	,282	7,2
<b>30/32A 3P4W</b>	2,85	73	2,32	59	4,50	114	1,32	34	3,87	98	3,87	98	2,38	60	,282	7,2
<b>30/32A 4P5W</b>	3,13	80	2,32	59	4,50	114	1,32	34	3,87	98	3,87	98	2,38	60	,282	7,2

**RECEPTACLE IP44**

	A		B		C		D		E		F		G		H		I	
	inches	mm	inches	mm	inches	mm	inches	mm	inches	mm	inches	mm	inches	mm	inches	mm	inches	mm
<b>16/20A 2P3W</b>	2,18	55	2,11	54	2,97	76	0,94	24	2,36	60	2,36	60	2,38	60	,219	5,5	3,07	73
<b>16/20A 3P4W</b>	2,43	62	2,13	54	2,97	76	0,94	24	2,36	60	2,36	60	2,38	60	,219	5,5	3,33	80
<b>16/20A 4P5W</b>	2,81	71	2,17	55	2,97	76	0,94	24	2,36	60	2,36	60	2,38	60	,219	5,5	3,79	91
<b>30/32A 2P3W</b>	2,81	71	2,56	65	2,97	76	1,52	39	2,36	60	2,36	60	2,38	60	,219	5,5	3,79	91
<b>30/32A 3P4W</b>	2,81	71	2,56	65	2,97	76	1,52	39	2,36	60	2,36	60	2,38	60	,219	5,5	3,79	91
<b>30/32A 4P5W</b>	3,09	79	2,60	66	2,97	76	1,52	39	2,36	60	2,36	60	2,38	60	,219	5,5	4,17	101

> DIMENSIONS



	A	B	C	D
<b>570.90163</b>	64	60	20	40
<b>570.90164</b>	72	68	20	40
<b>570.90165</b>	81	76	20	40
<b>570.90324</b>	85	82	22	50
<b>570.90325</b>	93	89	22	50
<b>570.9063</b>	99	96	25	71
<b>570.9125</b>	113	109	25	79

(Dimensions in mm)

> LEGEND

UL LISTED



UL CLASSIFIED



**20A - IP67**

320P4W  
320P6W  
320P5W  
320P7W  
420P12W  
420P9W  
420P7W  
420P5W  
520P9W  
520P7W  
520P5W  
320C4W  
320C6W  
320C5W  
320C7W  
420C12W  
420C9W  
420C7W  
420C5W  
520C9W  
520C7W  
520C5W  
320R4W  
320R6W  
320R5W  
320R7W  
420R12W  
420R9W  
420R7W  
420R5W  
520R9W  
520R7W  
520R5W

**20A - IP44**

320P4S  
320P6S  
320P5S  
420P12S  
420P9S  
520P9S  
320C4S  
320C6S  
320C5S  
420C12S  
420C9S  
520C9S  
320R4S  
320R6S  
420C9S  
430R9S  
530R9S

420R12S  
420R9S  
520R9S

**30A - IP67**

330P4W  
330P6W  
330P7W  
430P12W  
430P9W  
430P7W  
430P5W  
530P9W  
530P7W  
530P5W  
330C4W  
330C6W  
330C7W  
430C12W  
430C9W  
430C7W  
430C5W  
530C9W  
530C7W  
530C5W  
330R4W  
330R6W  
330R7W  
430R12W  
430R9W  
430R7W  
430R5W  
530R9W  
530R7W  
530R5W

**30A - IP44**

330P4S  
330P6S  
430P12S  
430P9S  
530P9S  
330C4S  
330C6S  
430C12S  
430C9S  
530C9S  
330R4S  
330R6S  
430R12S  
430R9S  
530R9S

**60A - IP67**

360P4W  
360P6W  
360P5W  
360P7W  
360P3W  
460P12W  
460P9W  
460P7W  
460P5W  
560P9W  
560P7W  
560P5W  
360C4W  
360C6W  
360C5W  
360C7W  
360C3W  
460C12W  
460C9W  
460C7W  
460C5W  
560C9W  
560C7W  
560C5W  
360R4W  
360R6W  
360R5W  
360R7W  
360R3W  
460R12W  
460R9W  
460R7W  
460R5W  
560R9W  
560R7W  
560R5W

**100A - IP67**

3100P6W  
4100P12W  
4100P9W  
4100P7W  
4100P5W  
5100P9W  
5100P7W  
5100P5W  
4100C12W  
4100C9W  
4100C7W  
4100C5W  
5100C9W  
5100C7W  
5100C5W

4100R12W  
4100R9W  
4100R7W  
4100R5W  
5100R9W  
5100R7W  
5100R5W



**20A - IP67**

320B4W  
320B6W  
320B5W  
320B7W  
420B12W  
420B9W  
420B7W  
420B5W  
520B9W  
520B7W  
520B5W

**20A - IP44**

320B4S  
320B6S  
320B5S  
420B12S  
420B9S  
520B9S

**30A - IP67**

330B4W  
330B6W  
330B7W  
430B12W  
430B9W  
430B7W  
430B5W  
530B9W  
530B7W  
530B5W

**30A - IP44**

330B4S  
330B6S  
330B5S  
330P5S  
330C5S  
330R5S  
430B12S  
430B9S  
530B9S

**60A - IP67**

360B4W  
360B6W  
360B5W  
360B7W  
360B3W  
460B12W  
460B9W  
460B7W  
460B5W  
560B9W  
560B7W  
560B5W

**100A - IP67**

4100B12W  
4100B9W  
4100B7W  
4100B5W  
5100B9W  
5100B7W  
5100B5W



**16A - IP67**

316P4W  
316P6W  
416P6W  
516P6W  
316C4W  
316C6W  
416C6W  
516C6W  
316R4W  
316R6W  
416R6W  
516R6W

**32A - IP67**

332P4W  
332P6W  
432P6W  
532P6W  
332C4W  
332C6W  
432C6W  
532C6W  
332R4W  
332R6W  
432R6W  
532R6W

**16A - IP44**

316P4S  
316P6S  
416P6S  
516P6S  
316C4S  
316C6S  
416C6S  
516C6S  
316R4S  
316R6S  
416R6S  
516R6S

**32A - IP44**

332P4S  
332P6S  
432P6S  
532P6S  
332C4S  
332C6S  
432C6S  
532C6S  
332R4S  
332R6S  
432R6S  
532R6S

**63A - IP67**

363P6W  
463P6W  
563P6W  
363C6W  
463C6W  
563C6W  
363R6W  
463R6W  
563R6W

**125A - IP67**

3125P6W  
4125P6W  
5125P6W  
3125C6W  
4125C6W  
5125C6W  
3125R6W  
4125R6W  
5125R6W

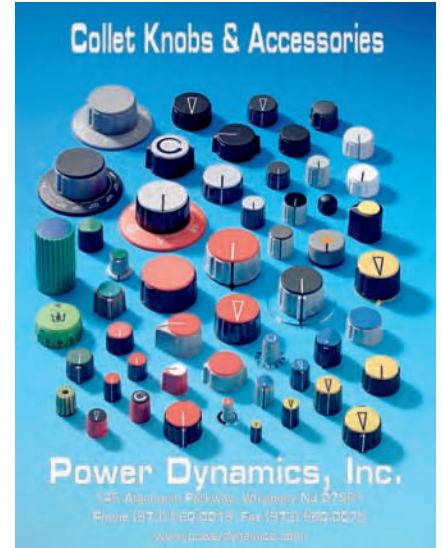
# Also available



Connectors



EMI/RFI Filters



Collet Knobs



# Power Dynamics, Inc.

145 Algonquin Parkway, Whippany NJ 07981 Phone: 973-560-0019  
www.powerdynamics.com sales@powerdynamics.com