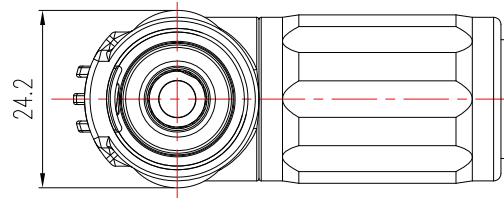
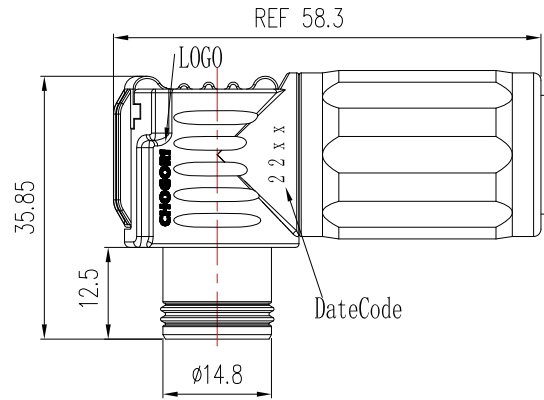


REV.	ECN NO.	DESCRIPTION	SIGN	DATE
C1		Initial Drawing	Deng	2021/11/20



Specification:

- 1.Operation Temperature: -40°C~85°C.
- 2.Insulation Resistance:100MΩ at DC500V.
- 3.Contact Resistance:<0.5mΩ.
- 4.Operating Current:150A MAX
- 5.Operating Voltage:1000V DC
- 6.Waterproof Rate:IP67 (Mated)
- 7.Plastic Body:Nylon
- 8.Female Pin:Copper Alloy, Ag Plated, Crimp Type
- 9.Seal Ring:Silicon
- 10.Wire Range:35mm²/2AWG
- 11.P/N:901-02985-00 Orange
P/N:901-02986-00 Black
- 12.RoHS Compliant.

DateCode:

2 2 x x

Year: 22=2022
23=2023
...
Week: 01=Week First,
02=Week Two,
...

UNIT: mm		DESCRIPTION	CHOGORI [®]		PART NO	DRAWN BY	DATE
TOLERANCE		NS08 Plug			901-0298X-00	Robin	2022/05/22
.X ±0.50 .XX ±0.20 .XXX ±0.10 ANGLES ±1°	SCALE: 1:1	SHEET 1 OF 1			DWG NO	CHECKED BY	DATE
REV. C1	SIZE A4	* :Inspection Item	CUSTOMER	APPROVED BY	DATE		
				Panson	2022/05/22		

THIS INFORMATION IS CONFIDENTIAL AND IS DISCLOSED TO YOU ON CONDITION THAT NO FURTHER DISCLOSURE IS MADE BY YOU TO OTHER THAN CHOGORI PERSONNEL WITHOUT AUTHORIZATION FROM CHOGORI CORP.