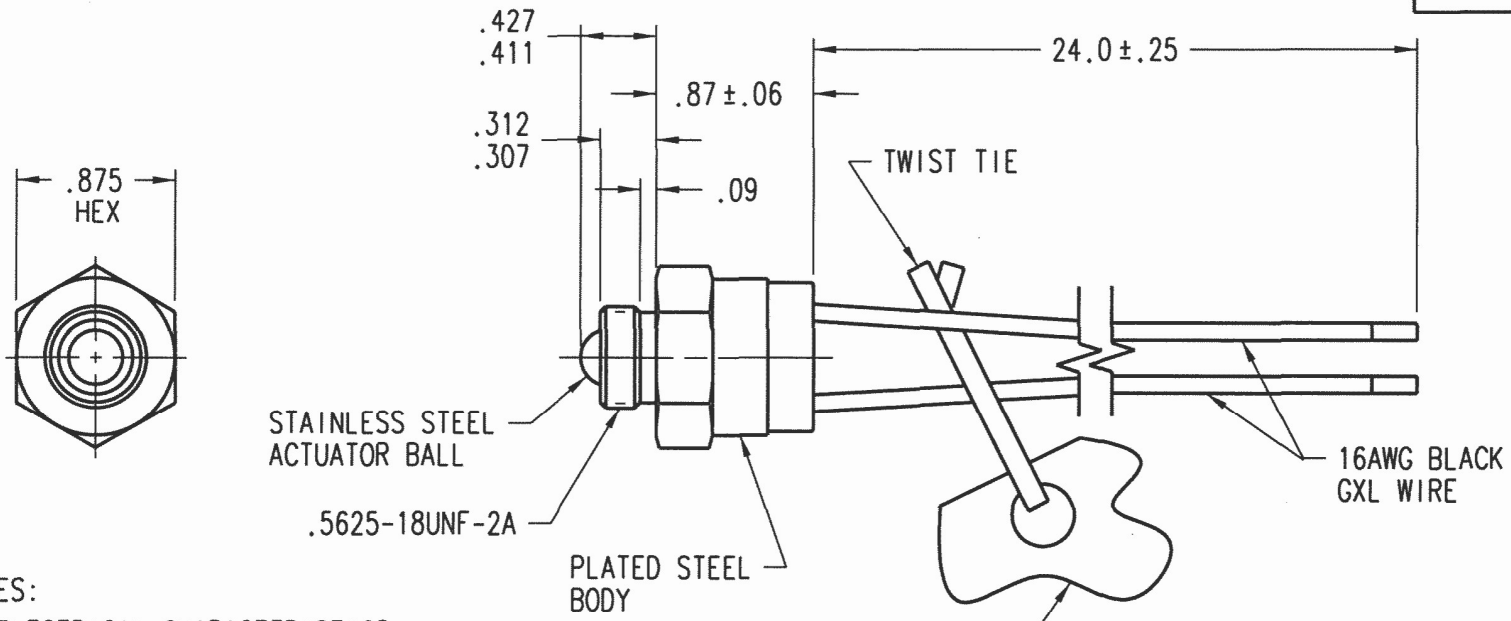


DRAWING NO.

J4002-523



NOTES:

1. ELECTRICAL CHARACTERISTICS:
  - A. CONTACT ARRANGEMENT: NORMALLY CLOSED
  - B. CURRENT RATING AT 28 VDC:
    - 10 AMPS RESISTIVE
    - 5 AMPS INDUCTIVE
2. INSTALLATION TORQUE:
  - 10 FOOT-POUNDS MAXIMUM
3. OPERATING TEMPERATURE RANGE: -50°F TO 250°F.
4. PROPER APPLICATION OF THIS PRODUCT IS THE RESPONSIBILITY OF THE USER.

TORQUE TAG  
2 3/8 X 4 3/4  
NOTE 3

					UNLESS OTHERWISE SPECIFIED DIMENSIONS ARE IN INCHES		APPROVALS		DATE		<b>CPI CONTROL PRODUCTS, INC.</b> EAST HANOVER, NEW JERSEY WWW.CPI-NJ.COM	
					TOLERANCES ARE:		DRAWN GHS		7/27/21			
					.X ± .1 .XX ± .03 .XXX ± .015 ANG ± 5°		CHECKED				TITLE <b>SEALED BALL SWITCH INSTALLATION DRAWING</b>	
					MATERIAL		ISSUED ECN7184 <i>ROG</i>		7/27/21			
REVISIONS					FINISH AND HEAT TREAT		DIGI-KEY				SIZE A SCALE NONE DRAWING NO. J4002-523 SHEET 1 OF 1	
THE INFORMATION FURNISHED HEREIN IS THE PROPERTY OF CONTROL PRODUCTS, INC. AND SHALL NOT BE USED, DISCLOSED TO OTHERS, OR COPIED WITHOUT THE EXPRESS WRITTEN CONSENT OF CONTROL PRODUCTS, INC.							DO NOT SCALE DRAWING					