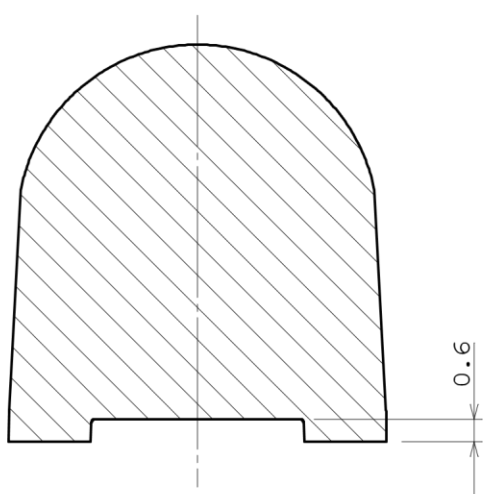
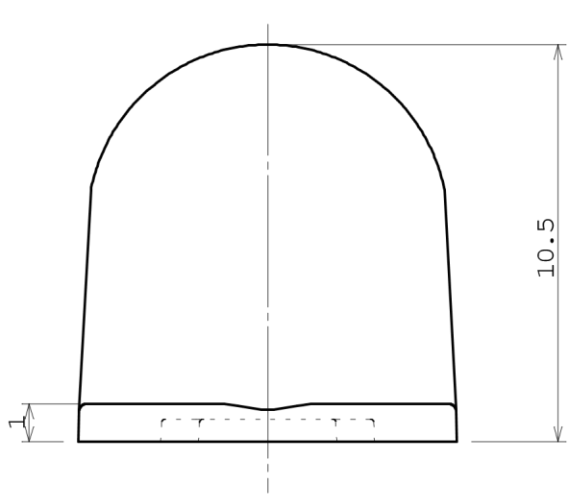
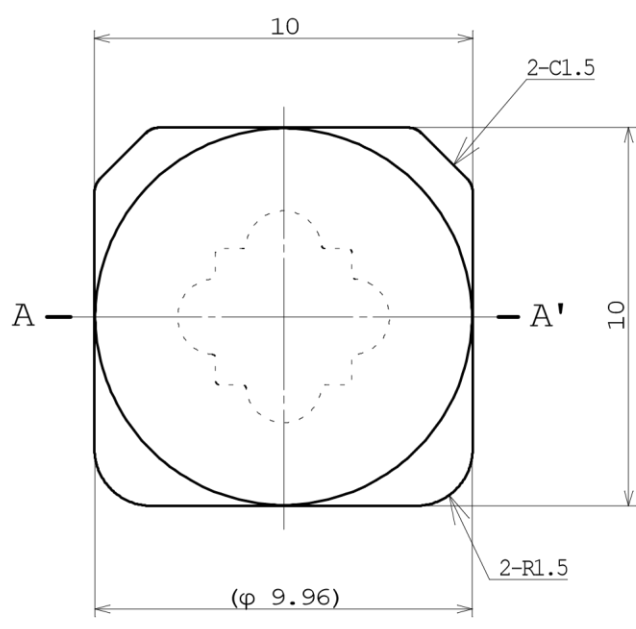
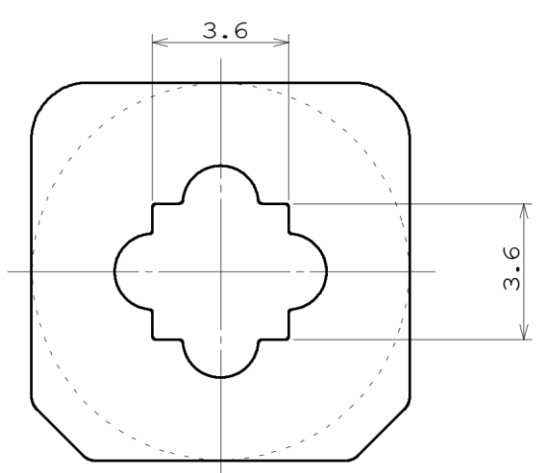


○ SPECIFICATIONS <仕様図>	SURFACE TREATMENT <表面処理>	SYM	DATE	REVISION	REVR	APPR
	HEAT TREATMENT <熱処理>	1*				
	FINISH <仕上げ>	2*				
REFERENCE <参考図>		3*				



A-A'断面
A-A' Section



NOTE)
・一般寸法公差：下記C公差を適用
General dimensional tolerance: Range C

TOLERANCE UNLESS SPECIFIED				ORIGINAL DATE 2021/07/07		MATERIAL (COMPOUND) Silicone rubber		TITLE DK-10M-275			
RANGE		A	B	SCALE 5:1	UNIT mm	COLOR Clear		DRAWING NO. 21070707E			
LESS THAN 6		±0.2	±0.1 ±0.1	SIZE A4	3RD ANGLE SYSTEM	HARDNESS A80		DESIGN	DRAWN	CHECKED	APPROVED
OVER 6 TO 20		±0.3	±0.2 ±0.2			T.Motoyanagi	T.Motoyanagi	S.Endo	E.Ishiguro		
OVER 20 TO 50		±0.5	±0.3 ±0.2	株式会社朝日ラバー							
OVER 50 TO 100		±1.0	±0.5 ±0.3								
OVER 100 TO 300		±2.0	±1.0 ±0.5								
OVER 300 TO 500		±5.0	±2.5 ±1.0								
ANGLE		±2°									



◆ASA COLOR LENS

Part number : DK-10M-275 / DK-30M-275

Initial Properties

1. Physical Properties

Items	Materials : ASR-A80MC
Color	Transparent
Hardness JIS Type A	A80/S±5
Total light transmittance(t=2mm)	90% and more
Refractive index (25°C) (D-line 589 nm)	1.41±0.03

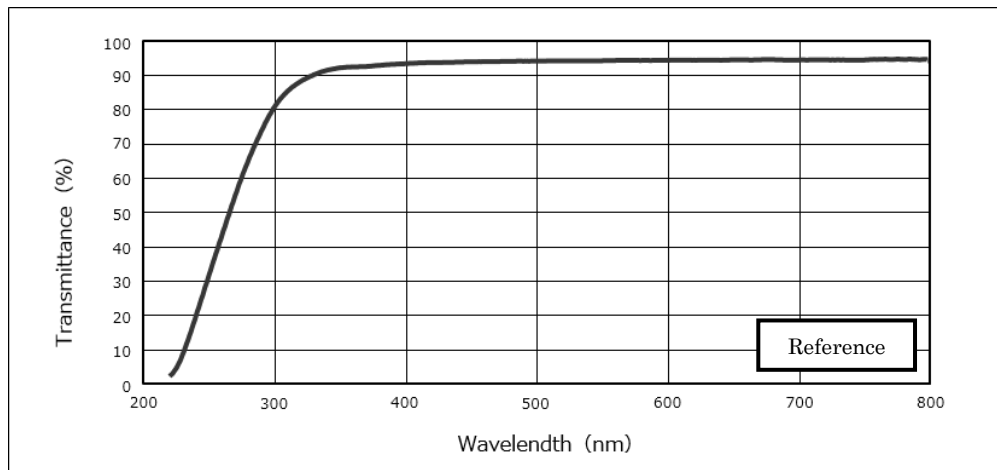


Figure1. Total light transmittance of ASR-A80MC (t=2mm)

2. Light Distribution Data

